

Stereo VideoMic

Stereo On-camera Microphone

AUSTRALIA
107 Carnarvon st, Silverwater NSW 2128 Australia
Ph: +61 2 9648 5855 Fx: +61 2 9648 2455

USA
PO Box 91028, Long Beach CA 90809-1028
Ph: +1 562 364 7400 Fax: +1 888 412 4664

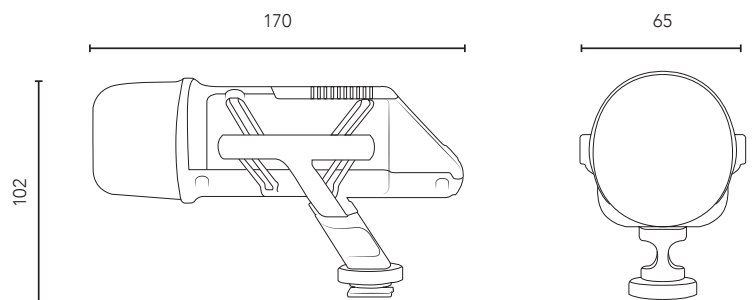


Specifications

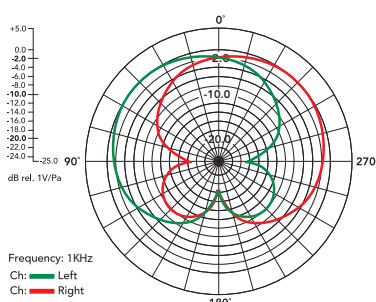
Acoustic Principle	Pressure Gradient
Directional Pattern	Super-Cardioid
Frequency Range	40Hz ~ 20,000Hz (selectable HPF@80Hz)
Sensitivity	-38dB ±2dB re 1V/Pa @ 1kHz
Nominal Impedance	200Ω
Equivalent Noise	20dBa SPL (A - weighted per IEC651)
Maximum Output	+6.9dBu (@ 1% THD into 1kΩ)
Dynamic Range	115dB (per IEC651)
Maximum SPL	134dB (@ 1kHz, 1% THD into 1kΩ load)
Signal/Noise	74dB SPL (A - weighted per IEC651)
Power Req.	9V alkaline battery (Current 7mA)
Dimensions	170mmL x 102mmH x 65mmD
Output Connection	3.5mm stereo mini-jack
Net Weight	176g

Features

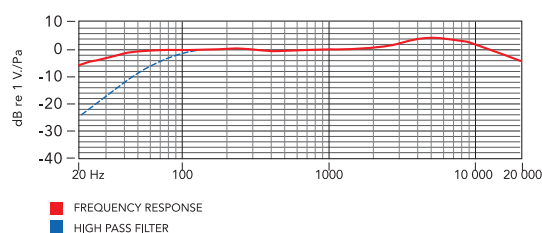
- Stereo X/Y Condenser Microphone
- Broadcast sound quality
- 9V battery powered
- Integrated shock mounting
- Two step High Pass Filter (Flat/80Hz)
- Rugged cast aluminium body
- Low noise circuitry
- Custom designed integrated windshield
- 3.5mm mini-jack output
- Integrated cold-shoe mount, 1/4" and 3/8" thread
- Designed and manufactured in Australia
- Free 10 year extended warranty with online registration at www.rodemic.com/warranty



Polar pattern



Frequency response



RØDE
MICROPHONES