

BASSO24t-A F400

Dual-12" Compact Band-Pass Multipurpose Subwoofer

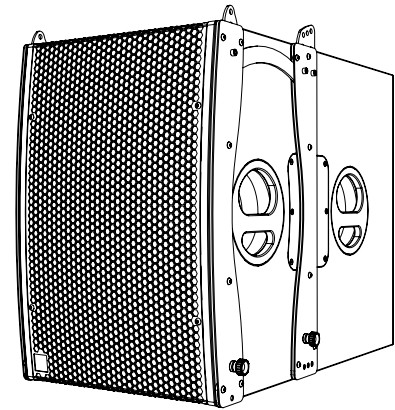


QuickStart Guide

Many key factors are to be considered when configuring the subwoofer section of a loudspeaker system to perfectly match each application: size/weight, logistic and operational setups, SPL needs, LF extension, cost limitations, as well as sound engineer preferences (depending on different the type and size of the event) or audio program characteristics and regional style taste for subwoofer mixes.

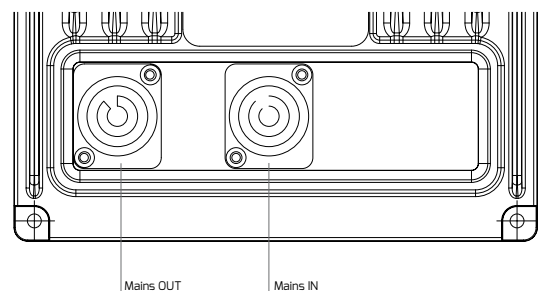
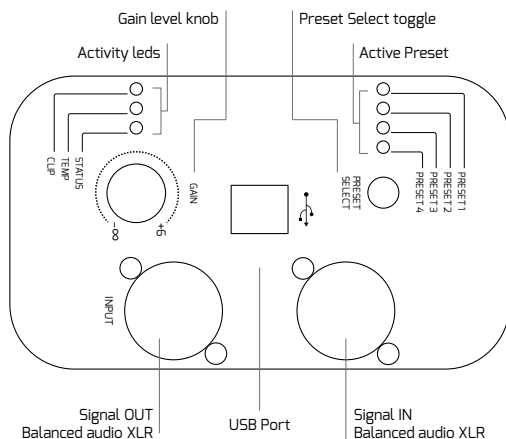
BASSO Series models allow the user to choose the most adequate subwoofer for any given situation from within a family of products with common finish, design solutions and performance philosophy as well as shared rigging and transport accessories.

BASSO24t F400 is a dual 12" band-pass subwoofer with a very shallow-form factor and excellent power-density that make this loudspeaker a versatile tool for any small, unobtrusive installed sound reinforcement and portable FOH applications to more powerful, medium-sized configurations for Touring and Rental companies and theatre and club installations.



DSP AND POWER MODULE

BASSO24t-A F400 features an integrated 3.2 kW Class-D power module equipped with PowerCON 32A Mains connectors and XLR balanced audio signal connectors allowing for a simple, straightforward power and audio linking of the array elements.



PRELOADED SELECTABLE PRESETS

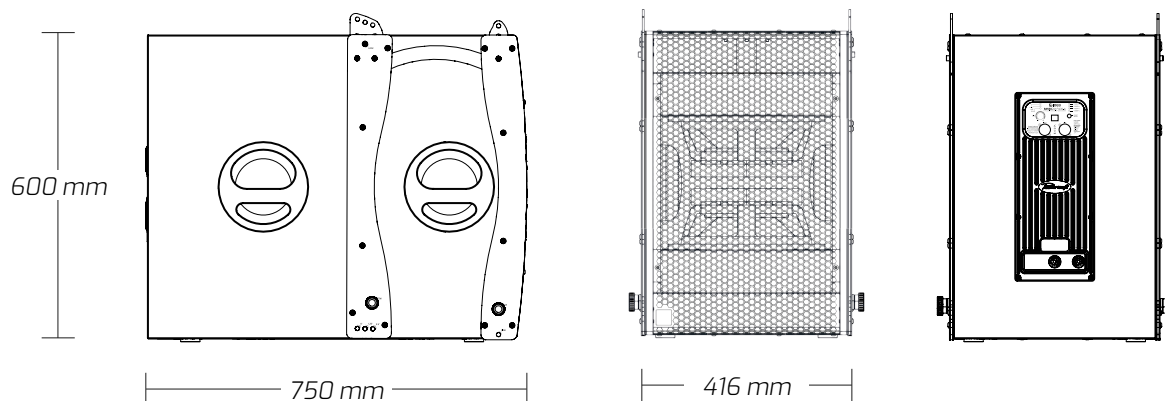
The 24-bit high-resolution integrated DSP board allows for easy access to four preloaded presets, just toggling the press-button PRESET SELECT in the back control panel. The active preset will be indicated by the active led above its number.

- PRESET 1: LPF @100 Hz
- PRESET 2: LPF @120 Hz
- PRESET 3: LPF @150 Hz
- PRESET 4: LPF @180 Hz

TECHNICAL DATA

Enclosure design	Band Pass
Transducers	2 x 12"
Power Handling (RMS)	1.4 kW
Nominal Impedance	4 Ohm
SPL (Continuous/Peak)	129/135 dB SPL
Frequency Range (-10 dB)	44 - 83/100/118/160 Hz
Frequency Range (-3 dB)	52 - 103/125/143/174 Hz
Dimensions (WxHxD)	416 x 600 x 750 mm (16.4 x 23.6 x 29.5 in)
Weight	54.5 kg (120.15 lb)
Connectors	2 x Neutrik speakOn NL-4 in parallel
+/-1	Input
+/-2	Link
Cabinet Construction	15 mm Plywood
Grille	1.5 mm perforated weatherised steel with protective foam
Finish	Durable IDEA proprietary Aquaforce paint coating process
Handles	4 integrated handles
Feet/Skates	4 rubber feet
Installation	36 mm Pole mount socket
Accessories	Flying frame (RF-EVO55) Stack frame (RF EVO55 STK) R5-BASSO-M Rigging structure (optional) 35 mm Pole (K&M-21336)

TECHNICAL DRAWINGS



WARNINGS AND SAFETY GUIDELINES



- Read this document thoroughly, follow all safety warnings and keep it for future reference.
- The exclamation mark inside a triangle indicates that whatever repairing and component replacement operations must be done by qualified and authorized personnel.
- No user serviceable parts inside.
- Only use accessories tested and approved by IDEA and supplied by the manufacturer or an authorized dealer.
- Installations, rigging and suspension operations must be done by qualified personnel.



- This is a Class I device. Do not remove Mains connector ground.
- Only use accessories specified by IDEA, complying with maximum loads specifications and following local safety regulations.



- Read the specifications and connection instructions before proceeding to connect the system and use only cabling supplied or recommended by IDEA. Connection of the system should be done by qualified personnel.
- Professional sound reinforcement systems can deliver high SPL levels that may result in hearing damage. Do not stand close to the system while in use.



- Loudspeakers produce magnetic field even while they are not in use or even when disconnected. Do not place or expose loudspeakers to any device that is sensitive to magnetic fields such as television monitors or data storage magnetic material.
- Keep the equipment in the safe working temperature range [0°-45°] at all times.
- Disconnect the equipment during lightning storms and when it is not to be used for a long time.
- Do not expose this device to rain or moisture.
- Do not place any objects containing liquids, such as bottles or glasses, on the top of the unit. Do not splash liquids on the unit.
- Clean with a wet cloth. Do not use solvent-based cleaners.
- Regularly check the loudspeaker housings and accessories for visible signs of wear and tear, and replace them when necessary.
- Refer all servicing to qualified service personnel.



- This symbol on the product indicates that this product should not be treated as household waste. Follow local regulation for recycling of electronic devices.
- IDEA declines any responsibility from misuse that may result in malfunction or damage of the equipment.

WARRANTY

- All IDEA products are guaranteed against any manufacturing defect for a period of 5 years from date of purchase for acoustical parts and 2 years from date of purchase for electronic devices.
- The guarantee excludes damage from incorrect use of the product.
- Any guarantee repair, replacement and servicing must be exclusively done by the factory or any of authorized service centres.
- Do not open or intend to repair the product; otherwise servicing and replacement will not be applicable for guarantee repair.
- Return the damaged unit, at shipper's risk and freight prepaid, to the nearest service centre with a copy of the purchase invoice in order to claim guarantee service or replacement.

DECLARATION OF CONFORMITY

*I MAS D ELECTROACÚSTICA SL
POL. A TRABE 19-20 15350 CEDEIRA (GALICIA - SPAIN)
DECLARES THAT: BASSO24T-A F400
COMPLIES WITH THE FOLLOWING EU DIRECTIVES:
ROHS (2002/95/CE) RESTRICTION OF HAZARDOUS SUBSTANCES
LVD (2006/95/CE) LOW VOLTAGE DIRECTIVE
EMC (2004/108/CE) ELECTRO-MAGNETIC COMPATIBILITY
WEEE (2002/96/CE) WASTE OF ELECTRIC AND ELECTRONIC EQUIPMENT
EN 60065: 2002 AUDIO, VIDEO AND SIMILAR ELECTRONIC APPARATUS. SAFETY REQUIREMENTS.
EN 55103-1: 1996 ELECTROMAGNETIC COMPATIBILITY: EMISSION
EN 55103-2: 1996 ELECTROMAGNETIC COMPATIBILITY: IMMUNITY*



www.ideaproaudio.com



For further information scan the QR Code
or refer to the following web address: www.ideaproaudio.com/product-detail/basso24t-a-f400

IDEA is always in pursuit of better performance, greater reliability and design features.
Technical specifications and minor finish details may vary without notice in order to improve our products.

©2020 - I MAS D Electroacústica SL

PoL A Trabe 19-20 15350 Cedeira (Galicia - Spain)