

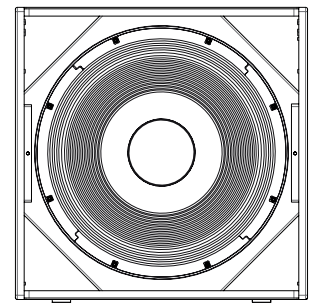
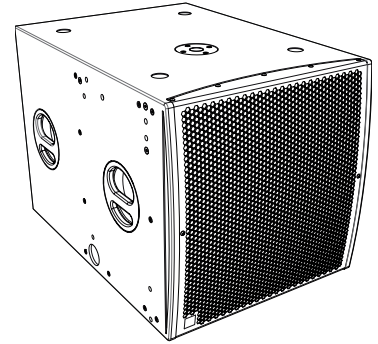
Many key factors are to be considered when configuring the subwoofer section of a loudspeaker system to perfectly match each application: size/weight, logistic and operational setups, SPL needs, LF extension, cost limitations, as well as sound engineer preferences (depending on different the type and size of the event) or audio program characteristics and regional style taste for subwoofer mixes.

BASSO Series models allow the user to choose the most adequate subwoofer for any given situation from within a family of products with common finish, design solutions and performance philosophy as well as shared rigging and transport accessories.

BASSO21 is a high-density single 18" direct radiation subwoofer that delivers a very natural, linear response in the VLF range from 25 Hz up to 140 Hz. Built with 18" Premium birch plywood and fitted with a 2 mm steel grille, this medium format medium format cabinet is finished with IDEA Aquaforce weatherized coating to endure life on the road or stylishly integrate in any installation.

BASSO21 seamlessly matches with 2-way loudspeakers in **LUA** and **EXO** Series maximizing the high-density performance of these systems for a wide range of portable, mobile and install professional sound reinforcement applications, from high power club sound systems and medium size live music events to rental and touring companies.

BASSO21 can be (on demand) served with **BASSO** rigging structures, allowing for stacked and flown configurations.

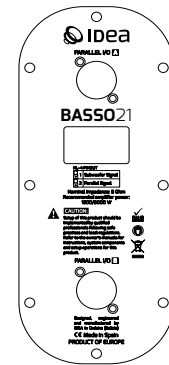


SYSTEM CONFIGURATION AND SETTINGS

BASSO21 back panel is fitted with a pair of Neutrik NL-4 connectors in parallel for straightforward, flexible installation setup.

NL-4 PINOUT:

+/- 1	Subwoofer Signal
+/- 2	Parallel Signal



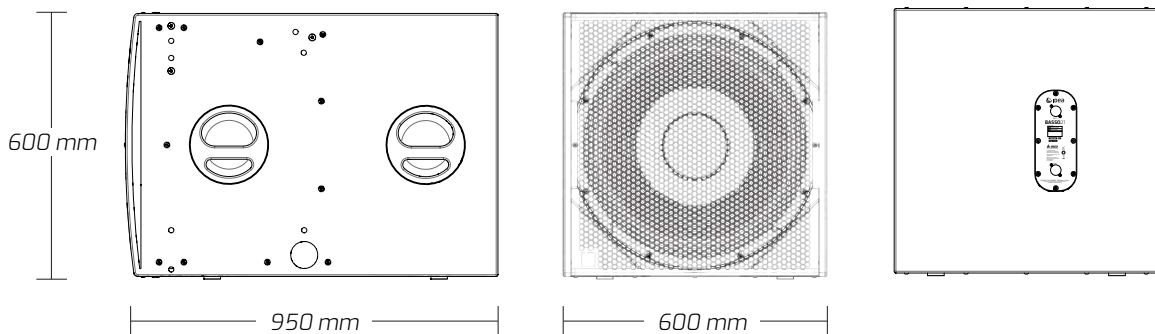
RECOMMENDED SETTINGS

LPF@ 65 Hz				LPF@ 80 Hz				LPF@ 100 Hz				LPF@ 120 Hz			
Type	Freq	Q	Gain	Type	Freq	Q	Gain	Type	Freq	Q	Gain	Type	Freq	Q	Gain
Bell	50 Hz	3.0	-1.30	Bell	60 Hz	3.0	-2.20	Bell	66 Hz	2.5	-3.50	Bell	80 Hz	2.0	-4.50
High Pass	20 Hz	0.8	--	High Pass	20 Hz	0.8	--	High Pass	20 Hz	0.8	--	High Pass	20 Hz	0.8	--
Low Pass	80 Hz	0.8	--	Low Pass	98 Hz	0.8	--	Low Pass	120 Hz	0.8	--	Low Pass	140 Hz	0.8	--
HPF:	25 Hz	Butterworth 24dB		HPF:	25 Hz	Butterworth 24dB		HPF:	25 Hz	Butterworth 24dB		HPF:	25 Hz	Butterworth 24dB	
LPF:	60 Hz	Butterworth 24dB		LPF:	70 Hz	Butterworth 24dB		LPF:	85 Hz	Butterworth 24dB		LPF:	101 Hz	Butterworth 24dB	

TECHNICAL DATA

Enclosure design	Bass Reflex
Transducers	21"
Power Handling (RMS)	1.4 kW
Nominal Impedance	8 Ohm
SPL (Continuous/Peak)	132/138 dB SPL
Frequency Range (-10 dB)	25 - 80/100/120/140 Hz
Frequency Range (-3 dB)	30 - 65/80/100/120 Hz
Dimensions (WxHxD)	600 x 600 x 950 mm (23.6 x 23.6 x 37.4 in)
Weight	70 kg (154 lb)
Connectors	2 x Neutrik speakOn NL-4 in parallel
+/-1	Input
+/-2	Link
Cabinet Construction	18 mm Plywood
Grille	2 mm perforated weatherised steel with protective foam
Finish	Durable IDEA proprietary Aquaforce paint coating process
Handles	4 integrated handles
Feet/Skates	4 rubber feet
Installation	36 mm Pole mount socket
Accessories	Riggin Frame (RF-600) Riggin System (RS-BASSO-L) Wheels (WH-04) 35 mm Pole (K&M-21336)

TECHNICAL DRAWINGS





www.ideaproaudio.com



For further information scan the QR Code
or refer to the following web address: www.ideaproaudio.com/product-detail/basso21

IDEA is always in pursuit of better performance, greater reliability and design features.
Technical specifications and minor finish details may vary without notice in order to improve our products.

©2020 - I MAS D Electroacústica SL

PoL A Trabe 19-20 15350 Cedeira (Galicia - Spain)