

12" Bass-Reflex Wall-Mount Subwoofer

FEATURES

- Compact form-factor
- Premium European high-efficiency custom IDEA 12" Transducer
- 8 Ohm Passive
- Neutrik SpeakON NL-4 connectors
- Dedicated wall-mount accessory
- Durable Aquaforce paint, available in standard textured black or white
- Optional RAL colors on demand



APPLICATIONS

- Main or distributed subwoofer system in Pubs, Lounges, Bars and small clubs
- High SPL A/V sets sound reinforcement

OVERVIEW

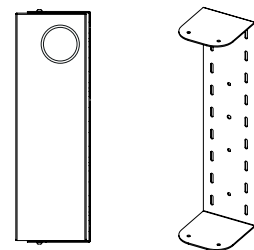
BASSO Series models allow users to choose the most adequate subwoofer setup for any given situation from within a family of products with common finish, design solutions and performance philosophy, as well as shared rigging and transport accessories.

BASSO12i is a compact 12" subwoofer that delivers serious SPL levels for installations that require professional sound reinforcement in spaces where integration and size are key requirements.

The 12" low-frequency transducer allows this compact, powerful box to deliver high-quality audio signal with maximum electro-acoustical efficiency and excellent LF performance.

This compact form-factor cabinet measures 170 mm deep allowing for unobtrusive, discreet integration into any location for professional installations thanks to the dedicated (included) wall-mount accessory for convenient, quick setup operations.

Built with the same durable, rugged construction as all **BASSO** family members, **BASSO12i** cabinet is made with 15 mm birch plywood and finished with exclusive IDEA Aquaforce textured painting. The 1.5 mm weatherized steel grille with Aquaforce coating and an internal foam panel provides long-term protection under any ambient conditions.

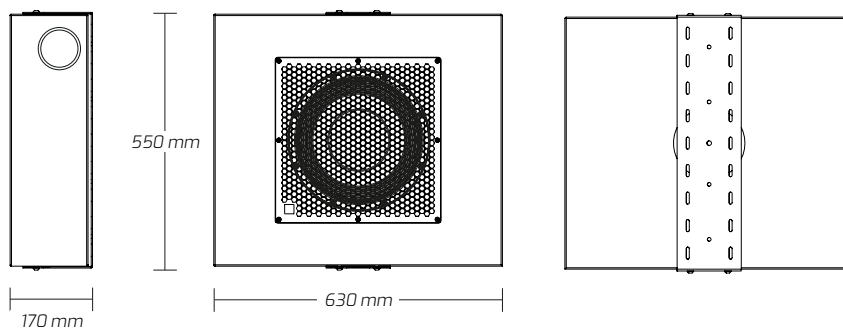


The wall-mount U-bracket accessory allows for convenient installation of **BASSO12i**

TECHNICAL DATA

Enclosure Design	Bass Reflex
Transducers	1 x 12"
Power Handling (RMS)	700 W
Nominal Impedance	8 Ohm
SPL (Continuous/Peak)	126/132 dB SPL
Frequency Range (-10 dB)	30 - 100/120/140 Hz
Frequency Range (-3 dB)	39 - 80/100/120 Hz
Dimensions (WxHxD)	630 x 550 x 170 mm (24.8 x 21.65 x 6.69 in)
Weight	24 kg (52.91 lb)
Connectors	2 x Neutrik speakOn NL-4 in parallel
+/-1	Input
+/-2	Link
Cabinet Construction	1.5 mm perforated weatherised steel with protective foam
Grille	1.5 mm weatherised steel with protective foam
Finish	Durable IDEA proprietary Aquaforce paint coating process
Installation	4 x M8 inserts
Accessories	U-bracket vertical (UB-B12i-V)

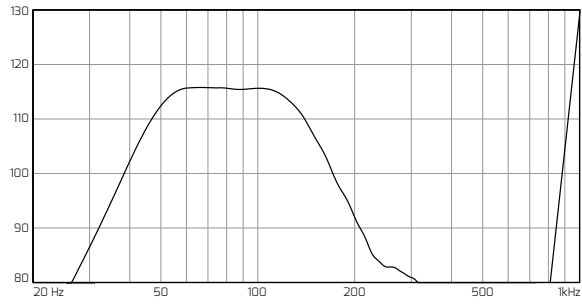
TECHNICAL DRAWINGS



ACOUSTICAL MEASUREMENTS

FREQUENCY RESPONSE

dB SPL



— LPF@ 220 Hz
— LPF@ 260 Hz
— LPF@ 285 Hz

This graph shows the frequency response for a 1-watt swept sine signal in a semi-anechoic environment (2π), measured at 3 m and scaled down at 1 m.

In order to provide more precise information for acoustical analysis, a 1/6 octave smoothing has been applied.

IMPEDANCE

Ohm

