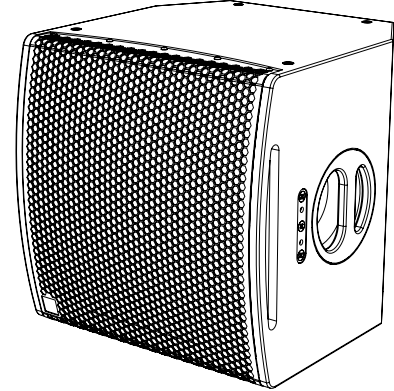


OVERVIEW

EXO 32-A is a diminutive FOH loudspeaker, capable of delivering sufficient dynamic range and total output for Regional touring concerts and high SPL DJ gigs. Just like the **EXO18**, **EXO32-A** combined with **BASSO** Series subwoofers, allows for highly portable point source Main PA solution, but **EXO32** delivers such performance in an enclosure with similar overall dimensions to a 12" two way speaker.

The 3 way configuration, relies on a LF horn-loaded quad 8" cluster, a large format compression driver that takes care of a wide band of midrange frequencies and PM4 membrane 1,75" compression driver for sizzling HF reproduction. **EXO32** stands out in power density and audio reproduction quality, pole mount, stacked or flown.

EXO32-A is designed to be used in almost all situations, together with high power subwoofer solutions, with a usable frequency range starting at 100 Hz. It's important to take this in consideration when specifying a professional sound reinforcement system, with subwoofers and DSP management.



FEATURES

- Very high power-density
- 3-Way 4x8" LF Woofers + 3" MF CD + 1.75" HF CD
- 140 dB Short Term Peak SPL
- 3 kW Class-D Powersoft power module
- Integrated 24-bit @48kHz DPS with 4 selectable presets
- Pole-mount, flown and stacked configurations
- Rugged and durable 15/18 mm birch plywood
- Dedicated transport, installation and rigging accessories

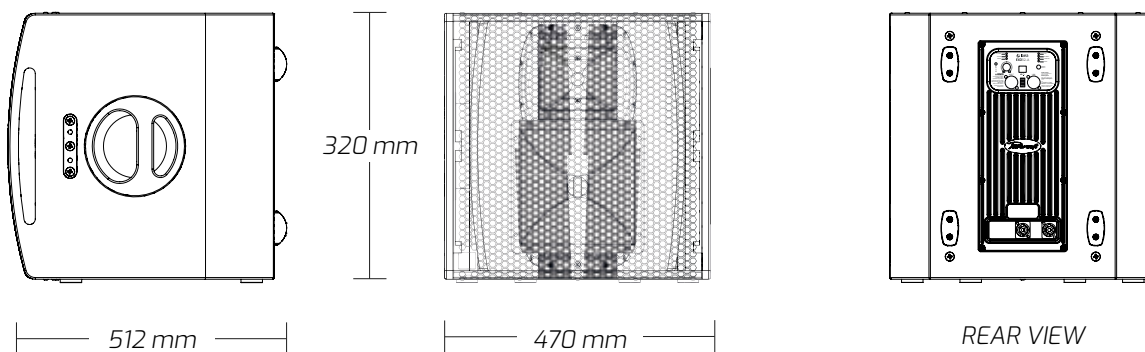
APPLICATIONS

- Point Source FOH
- Side/Front/Drum-fill
- High performance compact Installed solution for clubs, performance venues, sporting facilities and Houses of Worship

TECHNICAL DATA

| | |
|-------------------------------------|---|
| Enclosure design | Trapezoidal |
| LF Transducers | 4 x 8" High performance woofer |
| MF Transducers | 1 x 3" Compression Driver |
| HF Transducers | 1 x 1.75" Compression Driver |
| Class D Amp Continuous Power | 3 kW |
| DSP | 24bit @ 48kHz AD/DA - 4 selectable presets Preset 1 - Flat FOH Preset 2 - LF Cut/ Indoor Preset 3 - HF Boost / Long-throw Preset 4 - FLAT/Close field |
| SPL (Continuous/Peak) | 134/140 dB SPL |
| Frequency Range (-10 dB) | 70 - 21000 Hz |
| Frequency Range (-3 dB) | - |
| Coverage | MF horn: 80°/50° HF horn: 80°/60° (H/V) |
| Dimensions (WxHxD) | 470 x 470 x 470 mm (18.5 x 18.5 x 18.5 in) |
| Weight | 40 kg (88.18 lb) |
| Audio Signal Connectors | |
| Input | XLR |
| Output | XLR |
| AC Connectors | 2 x Neutrik powerCON® I/O |
| Power Supply | Universal, regulated switch mode |
| Nominal Power Requirements | 100 - 240 V 50-60 Hz |
| Current Consumption | 2.7 A |
| Cabinet Construction | 15 + 18 mm Birch Plywood |
| Grille | 1.5 mm perforated weatherised steel with protective foam |
| Finish | Durable IDEA proprietary High Resistance paint coating process |
| Handles | 2 integrated handles |
| Feet/Skates | 4 + 4 Rubber feet |
| Installation | 12 threaded M8 inserts. Bottom 36 mm pole mount socket |
| Accessories | Rigging frame (RF EX032) U-bracket vertical (UB-E32-V) Flight case (FC EXO SM32) 35 mm Pole (K&M-21336) |

TECHNICAL DRAWINGS



WARNINGS AND SAFETY GUIDELINES



- Read this document thoroughly, follow all safety warnings and keep it for future reference.
- The exclamation mark inside a triangle indicates that whatever repairing and component replacement operations must be done by qualified and authorized personnel.
- No user serviceable parts inside.
- Only use accessories tested and approved by IDEA and supplied by the manufacturer or an authorized dealer.
- Installations, rigging and suspension operations must be done by qualified personnel.
- This is a Class I device. Do not remove Mains connector ground.



- Only use accessories specified by IDEA, complying with maximum loads specifications and following local safety regulations.



- Read the specifications and connection instructions before proceeding to connect the system and use only cabling supplied or recommended by IDEA. Connection of the system should be done by qualified personnel.
- Professional sound reinforcement systems can deliver high SPL levels that may result in hearing damage. Do not stand close to the system while in use.



- Loudspeakers produce magnetic field even while they are not in use or even when disconnected. Do not place or expose loudspeakers to any device that is sensitive to magnetic fields such as television monitors or data storage magnetic material.
- Keep the equipment in the safe working temperature range [0°-45°] at all times.
- Disconnect the equipment during lightning storms and when it is not to be used for a long time.
- Do not expose this device to rain or moisture.
- Do not place any objects containing liquids, such as bottles or glasses, on the top of the unit. Do not splash liquids on the unit.
- Clean with a wet cloth. Do not use solvent-based cleaners.
- Regularly check the loudspeaker housings and accessories for visible signs of wear and tear, and replace them when necessary.
- Refer all servicing to qualified service personnel.
- This symbol on the product indicates that this product should not be treated as household waste. Follow local regulation for recycling of electronic devices.
- IDEA declines any responsibility from misuse that may result in malfunction or damage of the equipment.



WARRANTY

- All IDEA products are guaranteed against any manufacturing defect for a period of 5 years from date of purchase for acoustical parts and 2 years from date of purchase for electronic devices.
- The guarantee excludes damage from incorrect use of the product.
- Any guarantee repair, replacement and servicing must be exclusively done by the factory or any of authorized service centres.
- Do not open or intend to repair the product; otherwise servicing and replacement will not be applicable for guarantee repair.
- Return the damaged unit, at shipper's risk and freight prepaid, to the nearest service centre with a copy of the purchase invoice in order to claim guarantee service or replacement.

DECLARATION OF CONFORMITY

I MAS D ELECTROACÚSTICA SL

POL. A TRABE 19-20 15350 CEDEIRA (GALICIA - SPAIN)

DECLARES THAT: EXO32-A

COMPLIES WITH THE FOLLOWING EU DIRECTIVES:

ROHS (2002/95/CE) RESTRICTION OF HAZARDOUS SUBSTANCES

LVD (2006/95/CE) LOW VOLTAGE DIRECTIVE

EMC (2004/108/CE) ELECTRO-MAGNETIC COMPATIBILITY

WEEE (2002/96/CE) WASTE OF ELECTRIC AND ELECTRONIC EQUIPMENT

EN 60065: 2002 AUDIO, VIDEO AND SIMILAR ELECTRONIC APPARATUS. SAFETY REQUIREMENTS.

EN 55103-1: 1996 ELECTROMAGNETIC COMPATIBILITY: EMISSION

EN 55103-2: 1996 ELECTROMAGNETIC COMPATIBILITY: IMMUNITY



www.ideaproaudio.com



For further information scan the QR Code
or refer to the following web address: www.ideaproaudio.com/product-detail/exo32-a

IDEA is always in pursuit of better performance, greater reliability and design features.
Technical specifications and minor finish details may vary without notice in order to improve our products.

©2020 - I MAS D Electroacústica SL

PoL A Trabe 19-20 15350 Cedeira (Galicia - Spain)