

Classic studio monitors



The Ones and other coaxial SAM™ monitors



Classic and SAM™ series studio subwoofers



SAM™ master studio monitors



Contents

8010, 4010 & G1.....	5
8020, 8320, 4020 & G2.....	13
8030, 8330, 4030 & G3.....	21
8040, 8340, 4040 & G4.....	33
8050, 8350 & G5.....	45
8331, 8341, 8351, 8361 & 8260.....	57
S360	77
Other.....	81
Drawings and measurements monitor models	90



ACCESSORIES FOR GENELEC MONITORS

8010

4010

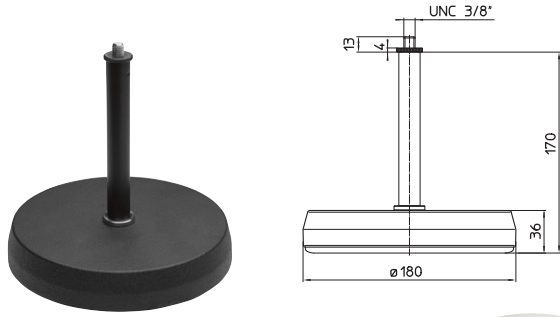
G1

Table stands

Short table stand

Short table stand providing a raised position for near-field monitors. Suitable for 8010, 8020, 8030 and 8040. Heavy black cast iron base with anti-vibration rubber ring, diameter 17 mm. Mounting 3/8" thread on the tube top. Preferably used together with stand plates for better positioning. The 8020 and 8030 models have an integrated 3/8" thread for possible direct fixing without stand plate. The 8040 model must be installed with a stand plate. Not to be used with 8331.

8000-406 Short table stand (17 cm) (K&M 23310-370-55)



8000-406



8000-406 with stand plate.

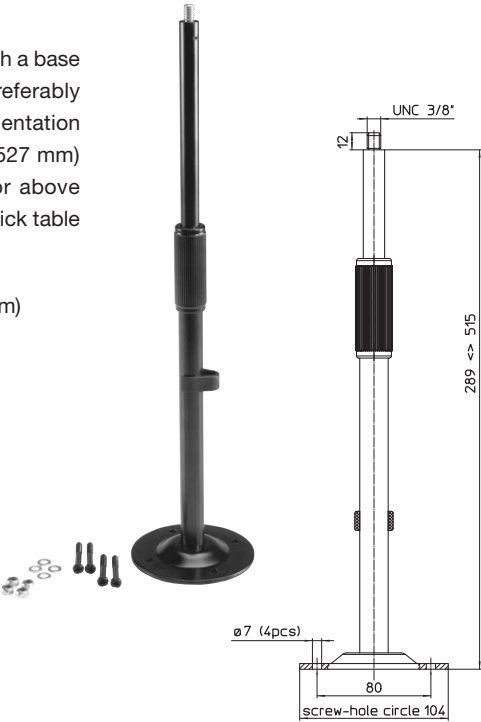
Associated products

8010-408

Adjustable height table stand

Adjustable height table stand for 8010, 8020 and 8030 with a base plate that can be attached to a table or flat surface. Preferably used with stand plate and Iso-Pod for better monitor orientation (see picture below). The telescopic tube length (301 to 527 mm) is designed for optimum monitor positioning behind or above computer screens. Screws and fixing nuts for a 40 mm thick table are included.

8000-425B Adjustable height table stand (301-527 mm) (K&M 23360-300-55)



Speaker fitted on 8000-425B with stand plate.

Associated products

8010-408

New

L-shape table stands

With these stands it is easy to position the speaker on a table with better aiming to the listening position, causing less reflections from the table surface. All stands have 0-20 degree tilt angle adjustment upwards.

For 8010 and 8X20 sizes vertical mounting. For 8X3X, 8X4X and 8X5X sizes vertical and also horizontal mounting is possible.

Models shown on the next pages.



L-shape stand 8010-320W and 8010



L-shape stand 8000-323B and 8331



L-shape stand 8000-325W and 8341



L-shape stand 8000-325B and 8351

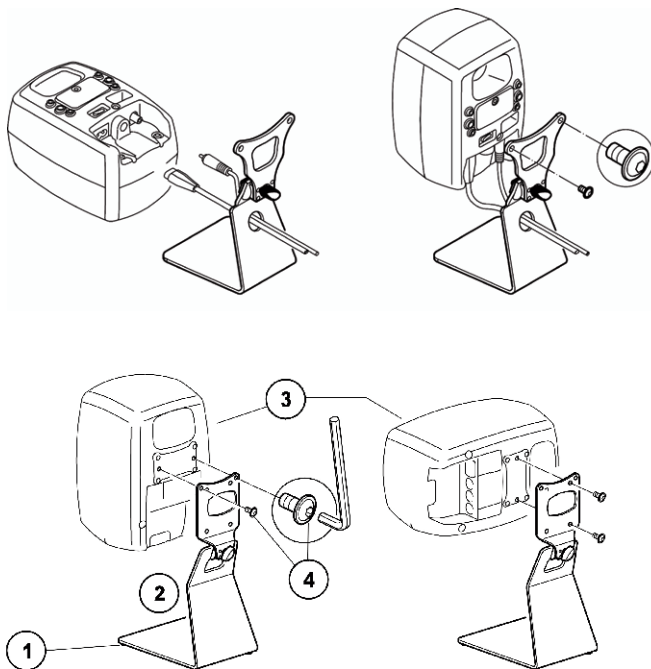


Table stand L-shape for 8010

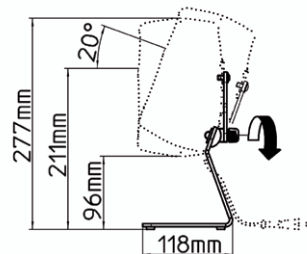
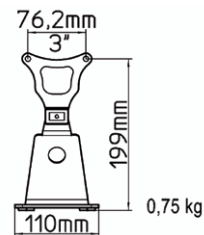
Design L-shape table stand for 8010, with adjustable tilt angle up. Available in black and white powder coat finish.

8010-320B Table stand L-shape for 8010, black (K&M 23271-000-56)

8010-320W Table stand L-shape for 8010, white (K&M 23271-000-68)



8010-320B

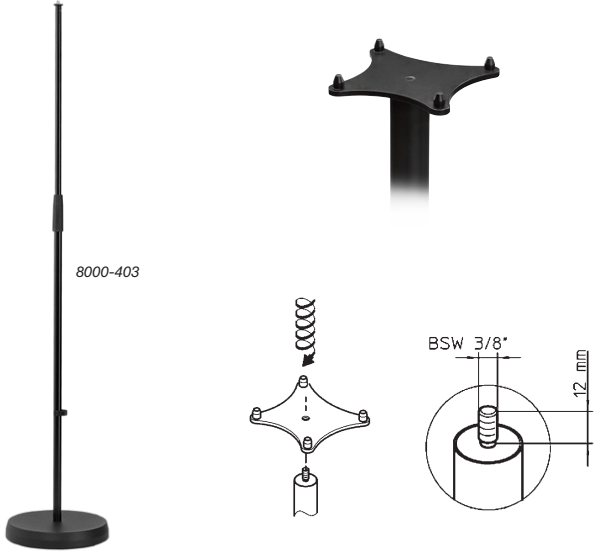


Floor stands

Floor stand

Floor stand for 8010, 8020 and 8030, preferably used together with stand plates. Cast iron base with anti-vibration rubber ring. Weight: 5.4 kg. Height: 870 to 1565 mm. Base diameter: 250 mm. Packing: single cardboard box. Suitable for all models between 8010 – 8330. Not to be used with 8331.

8000-403 Floor stand (mic stand) (K&M 26000-329-55)

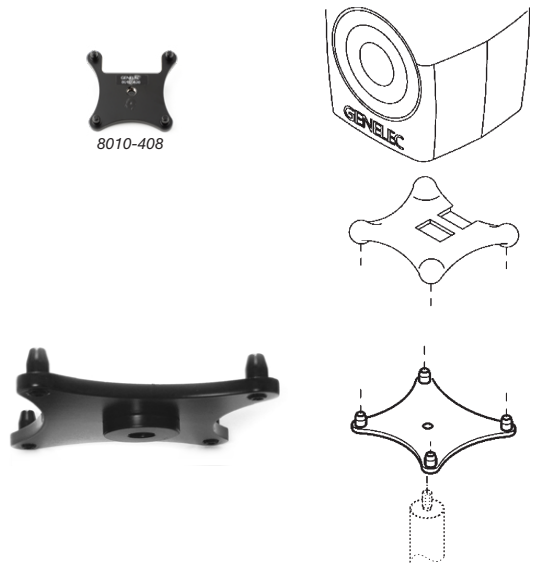


Stand plates

Stand plate for 8010

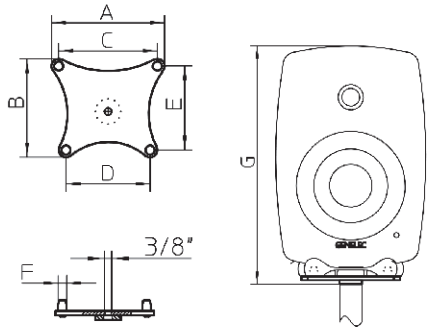
Genelec stand plates are designed for use together with the Iso-Pod that comes with all 8000 series monitors. The Iso-Pod allows you to tilt the monitor for optimal alignment. Simply mount the stand plate onto the 3/8" thread on the tube and ensure tight screw connection. Place the Iso-Pod over the four pins of the stand plate.

8010-408 Stand plate for 8010 Iso-Pod, black (K&M 19621-329-55)
8010-408W Stand plate for 8010 Iso-Pod, white (K&M 19621-329-57)



8010	
A	93
B	88
C	77
D	66
E	72
F	ø7,5
G	207

(mm)



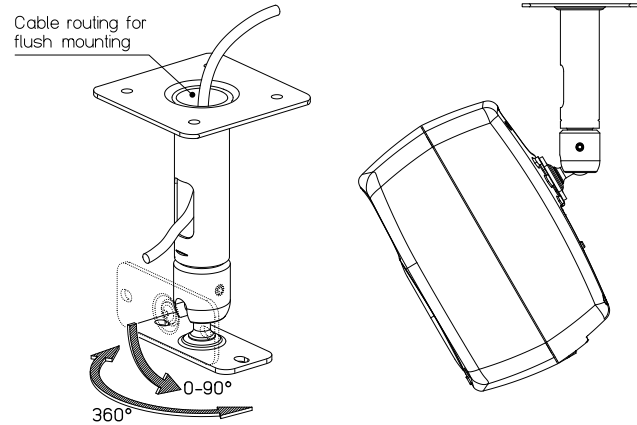
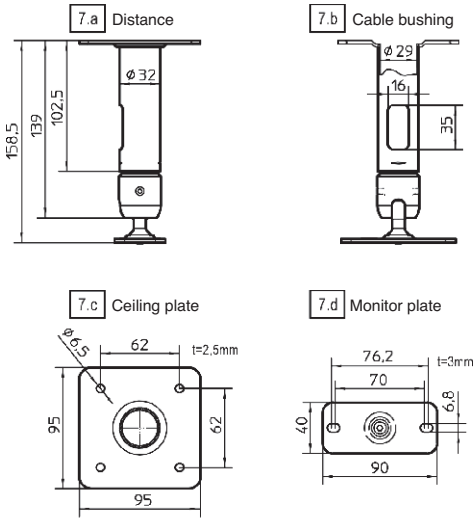
Stand plate and Iso-Pod assembly.

Ceiling mounts

Short ceiling mount

Short and versatile ceiling mount, with a ball joint enabling 360 degree rotation and maximum 90 degree tilt, depending on the loud-speaker model and mounting. Suitable for XX10, XX20, XX30 sizes, including 8331. Available in black and white powder coat finish.

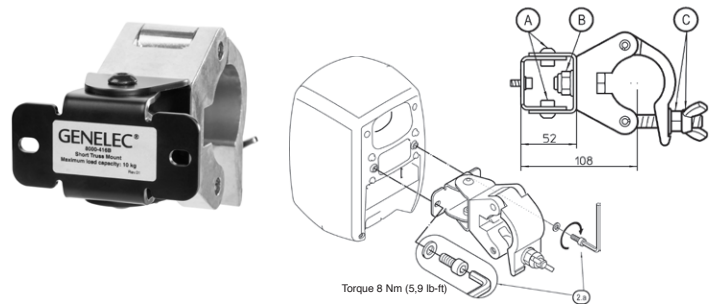
- 8000-202B** Short ceiling mount ball joint, black (K&M 24476-000-55)
- 8000-202W** Short ceiling mount ball joint, white (K&M 24476-000-57)



Short truss mount

Short truss mount with clamp for Ø 50 mm tube. Adaptable for 8000 and 4000 series.

- 8000-416B** Short truss mount with clamp (K&M 24493-000-55)



Wall mounts

Fixed wall mount

Wall mount bracket for 4010. Tilttable 30°. Available in black and white. Included with each 4010.

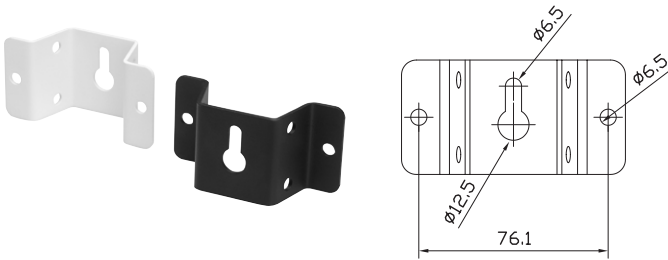
- 8010-410B** Wall mount bracket, black (Genelec)
- 8010-410W** Wall mount bracket, white (Genelec)



Fixed wall mount

Wall mount for 8020 and 8030/8130. Available in black and white. Included with each 8020.

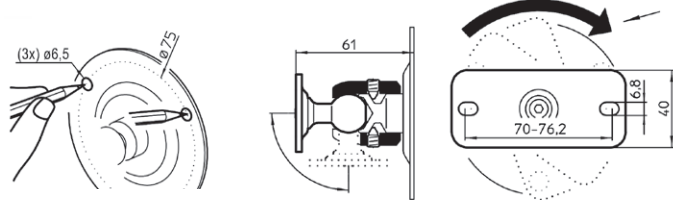
- 4000-410B** Wall mount (simple bracket), black (Genelec)
- 4000-410W** Wall mount (simple bracket), white (Genelec)



Short wall mount

Short and versatile wall mount, with a ball joint enabling 360 degree rotation and maximum 90 degree tilt, depending on the loudspeaker model and mounting. Suitable for XX10, XX20, XX30 sizes, including 8331. Available in black and white powder coat finish.

- 8000-420CB** Short wall mount, black (K&M 24469-019-55)
- 8000-420CW** Short wall mount, white (K&M 24469-019-57)



Slatwall mounts and adapters

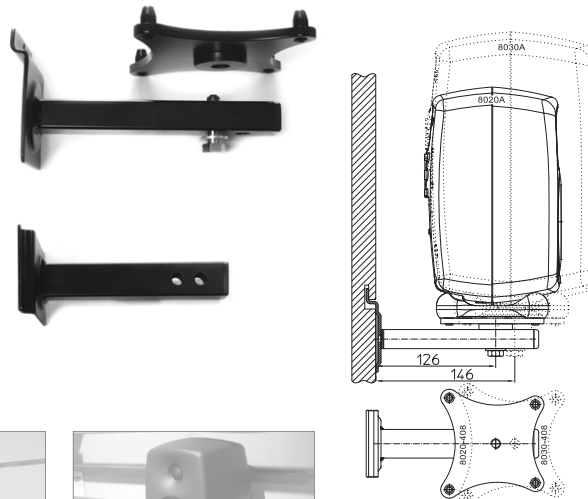
Slatwall brackets

Slatwall brackets for 8000 series monitors. Each bracket can support one stand plate to allow easy positioning and angling of the monitors.

Short slatwall bracket

Slatwall bracket for 8010, 8020 and 8030/8130.

8000-902B Slatwall bracket 8020 - 8030/8130
(K&M 44102-029-55)



8020 and 8030/8130 on short slatwall bracket.

Associated products



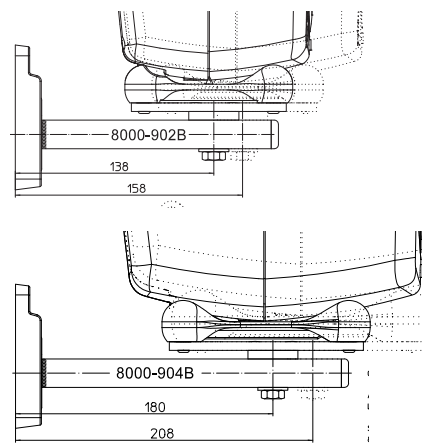
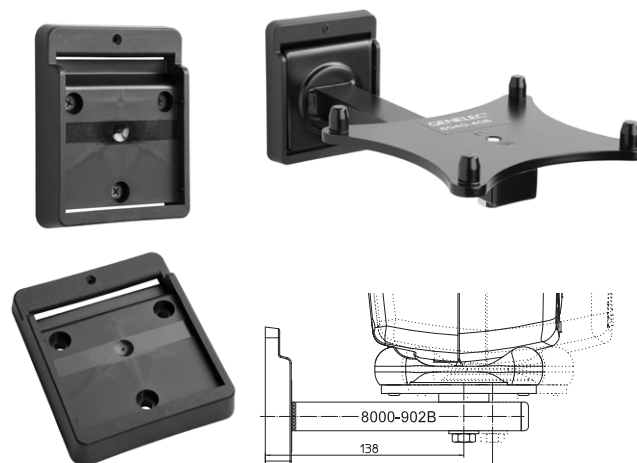
8010-408



Wall mount adapter

Practical plastic adapter to which it is easy to attach a Slatwall arm and additional Stand-plate. The adapter is attached to the wall using 3 screws. An additional security screw ensures that the product support arm is stable and held in place. Can handle weight of up to 8250 models. Dimensions 101 x 84 x 18 mm. For Slatwall brackets 8000-902B and 8000-904B.

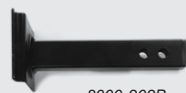
8000-909B Wall mount adapter for slatwall brackets, black
(K&M 44060-000-55)



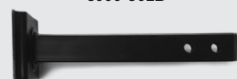
Associated products



8010-408



8000-902B



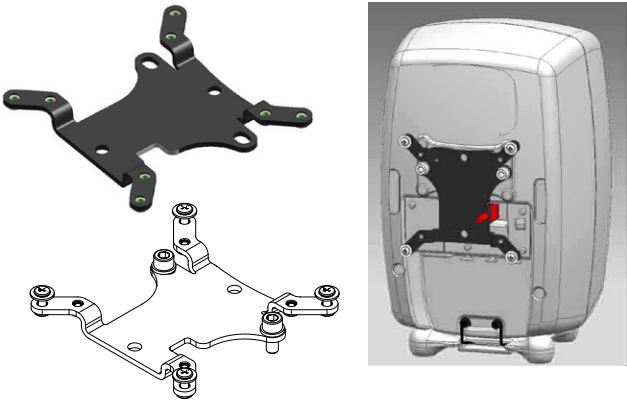
8000-904B

VESA-adapter for 8000-series

Today many broadcast environments and post-production studios have changed the way of installing video monitors. Instead of using 19" rack systems such LCD /Plasma screens are now placed in so-called flat "media walls". All of them feature the international mechanical mounting system called VESA standard.

We all know pictures need to be completed with sound, and therefore we have made a simple adapter fitting all Genelec 8000-speakers. With this small adapter one can mount 8000 series monitors into any kind of VESA 75/100 based accessories.

8000-437B VESA adapter 75/100 mm (K&M 24483-015-55)



Carrying accessories

Bags for Genelec loudspeakers

Soft transportation bags for Genelec loudspeakers.

8010-424 Soft carrying bag for two pcs 8010 (Genelec)



ACCESSORIES FOR GENELEC MONITORS

8020

8320

4020

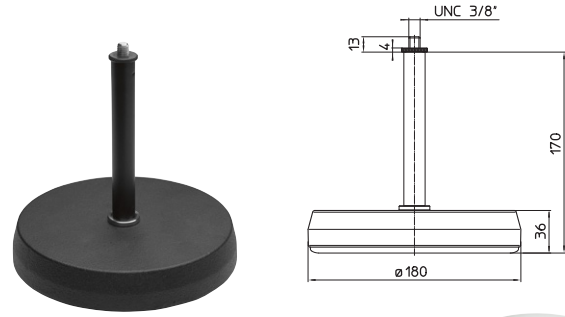
G2

Table stands

Short table stand

Short table stand providing a raised position for near-field monitors. Suitable for 8010, 8020, 8030 and 8040. Heavy black cast iron base with anti-vibration rubber ring, diameter 17 mm. Mounting 3/8" thread on the tube top. Preferably used together with stand plates for better positioning. The 8020 and 8030 models have an integrated 3/8" thread for possible direct fixing without stand plate. The 8040 model must be installed with a stand plate. Not to be used with 8331.

8000-406 Short table stand (17 cm) (K&M 23310-370-55)



8000-406



8000-406 with stand plate.

Associated products

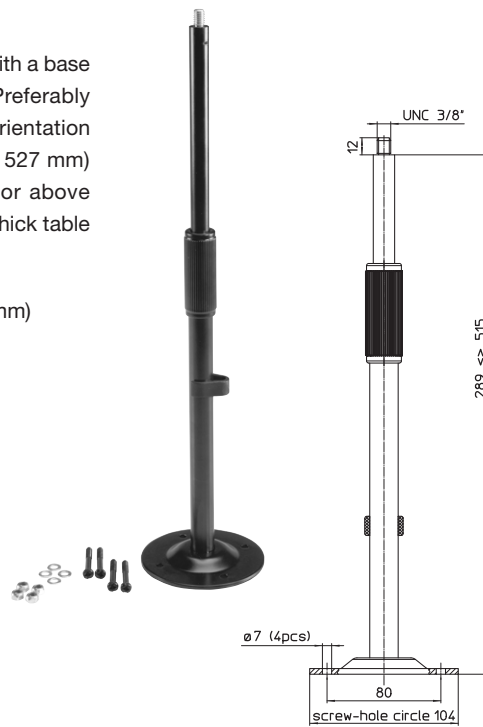


8020-408

Adjustable height table stand

Adjustable height table stand for 8010, 8020 and 8030 with a base plate that can be attached to a table or flat surface. Preferably used with stand plate and Iso-Pod for better monitor orientation (see picture below). The telescopic tube length (301 to 527 mm) is designed for optimum monitor positioning behind or above computer screens. Screws and fixing nuts for a 40 mm thick table are included.

8000-425B Adjustable height table stand (301-527 mm) (K&M 23360-300-55)



Speaker fitted on 8000-425B with stand plate.

Associated products



8020-408

L-shape table stands

With these stands it is easy to position the speaker on a table with better aiming to the listening position, causing less reflections from the table surface. All stands have 0-20 degree tilt angle adjustment upwards.

For 8010 and 8X20 sizes vertical mounting. For 8X3X, 8X4X and 8X5X sizes vertical and also horizontal mounting is possible.

Models shown on the next pages.

New

8020
8320
4020
G2



L-shape stand 8010-320W and 8010



L-shape stand 8000-323B and 8331



L-shape stand 8000-325W and 8341



L-shape stand 8000-325B and 8351

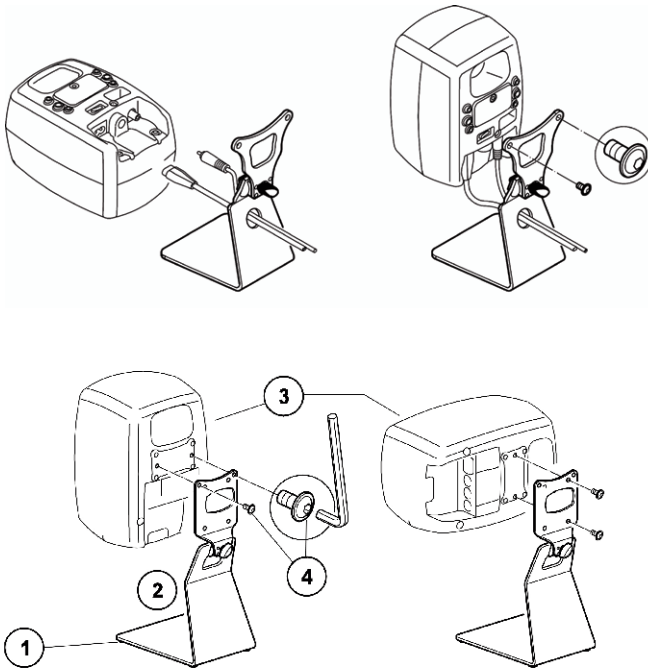


Table stand L-shape for 8020

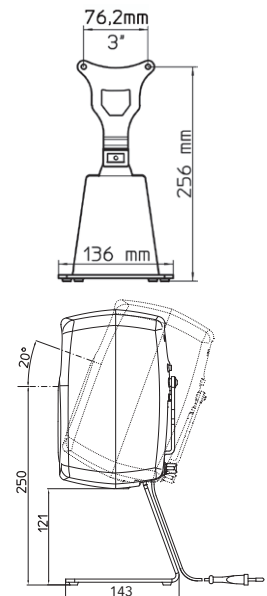
Design L-shape table stand for 8X2X, with adjustable tilt angle up. Available in black and white powder coat finish.

8020-320B Table stand L-shape for 8020, black (K&M 23274-015-56)

8020-320W Table stand L-shape for 8020, white (K&M 23274-015-68)



8020-320B

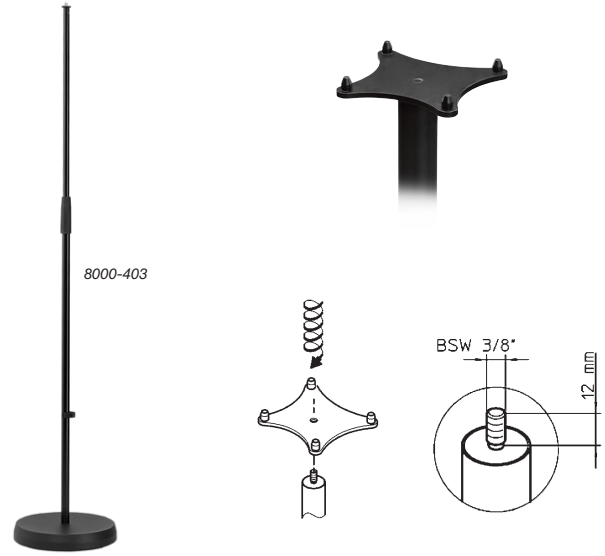


Floor stands

Floor stand

Floor stand for 8010, 8020 and 8030, preferably used together with stand plates. Cast iron base with anti-vibration rubber ring. Weight: 5.4 kg. Height: 870 to 1565 mm. Base diameter: 250 mm. Packing: single cardboard box. Suitable for all models between 8010 – 8330. Not to be used with 8331.

8000-403 Floor stand (mic stand) (K&M 26000-329-55)

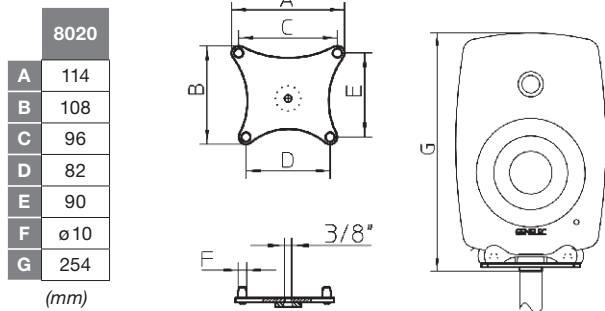
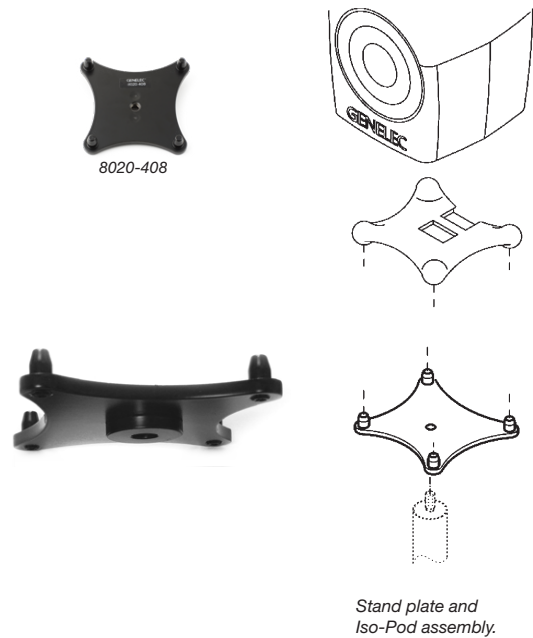


Stand plates

Stand plate for 8020

Genelec stand plates are designed for use together with the Iso-Pod that comes with all 8000 series monitors. The Iso-Pod allows you to tilt the monitor for optimal alignment. Simply mount the stand plate onto the 3/8" thread on the tube and ensure tight screw connection. Place the Iso-Pod over the four pins of the stand plate.

8020-408 Stand plate for 8020 Iso-Pod (K&M 19622-329-55)



Ceiling mounts

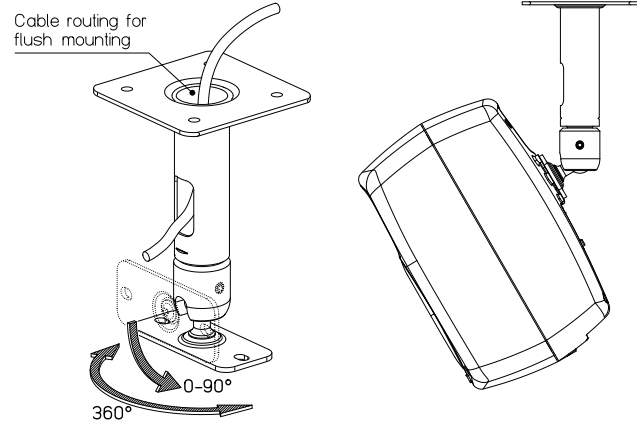
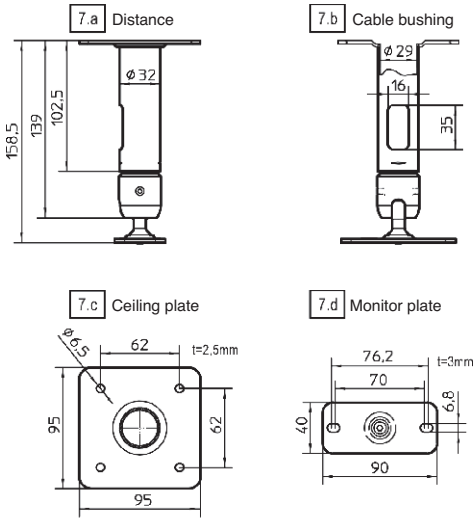
Short ceiling mount

Short and versatile ceiling mount, with a ball joint enabling 360 degree rotation and maximum 90 degree tilt, depending on the loud-speaker model and mounting. Suitable for XX10, XX20, XX30 sizes, including 8331. Available in black and white powder coat finish.

- 8000-202B** Short ceiling mount ball joint, black (K&M 24476-000-55)
- 8000-202W** Short ceiling mount ball joint, white (K&M 24476-000-57)



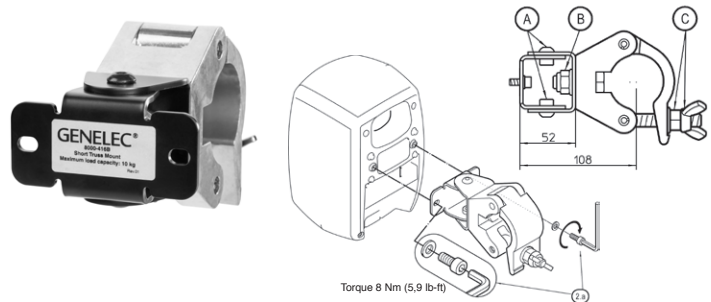
8020
8320
4020
G2



Short truss mount

Short truss mount with clamp for Ø 50 mm tube. Adaptable for 8000 and 4000 series.

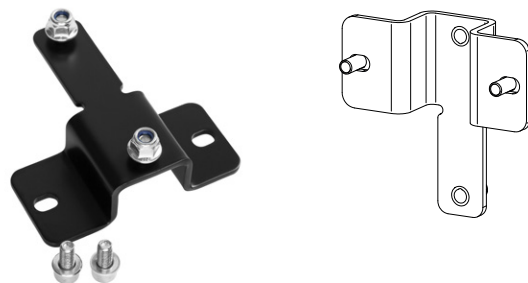
- 8000-416B** Short truss mount with clamp (K&M 24493-000-55)



T-adapter plate

T-adapter plate for Genelec 8320 and 8330.

- 8000-454B** T-adapter plate (K&M 24452-000-55)

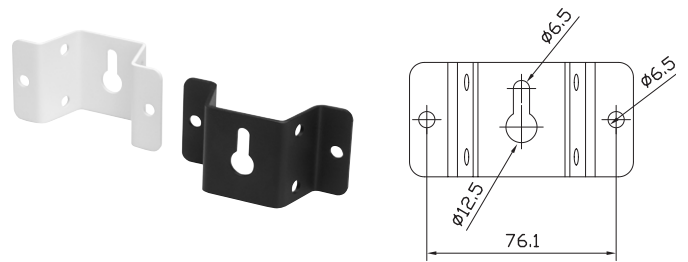


Wall mounts

Fixed wall mount

Wall mount for 8020 and 8030/8130. Available in black and white. Included with each 8020.

- 4000-410B** Wall mount (simple bracket), black (Genelec)
- 4000-410W** Wall mount (simple bracket), white (Genelec)

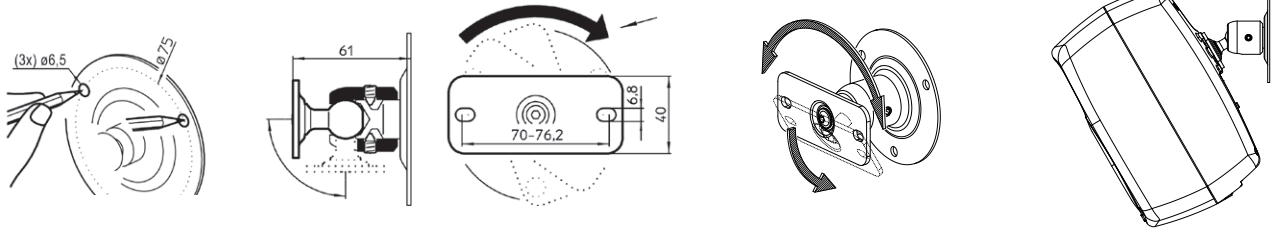


Short wall mount

Short and versatile wall mount, with a ball joint enabling 360 degree rotation and maximum 90 degree tilt, depending on the loudspeaker model and mounting. Suitable for XX10, XX20, XX30 sizes, including 8331. Available in black and white powder coat finish.

- 8000-420CB** Short wall mount, black (K&M 24469-019-55)
- 8000-420CW** Short wall mount, white (K&M 24469-019-57)

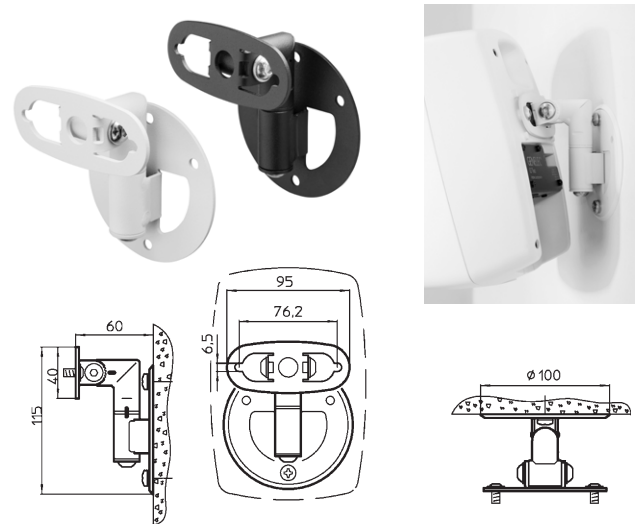
New



Adjustable wall mount with T-plate

Wall mount bracket for 8010, 8020 and 8030. Available in black and white.

- 8000-422B** Wall mount with T-plate, black (K&M 24160-000-56)
- 8000-422W** Wall mount with T-plate, white (K&M 24160-000-57)



Slatwall mounts and adapters

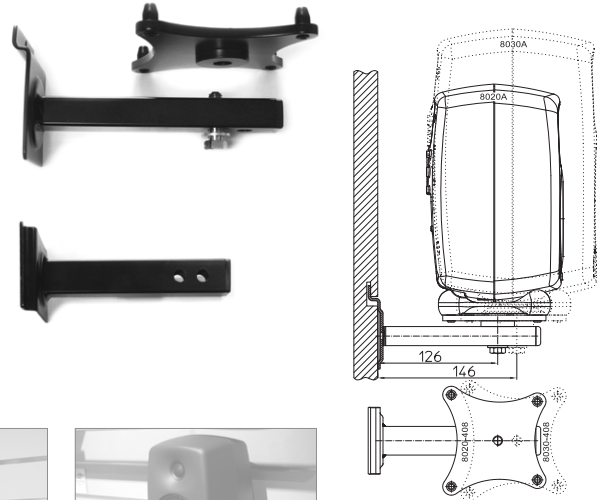
Slatwall brackets

Slatwall brackets for 8000 series monitors. Each bracket can support one stand plate to allow easy positioning and angling of the monitors.

Short slatwall bracket

Slatwall bracket for 8010, 8020 and 8030/8130.

8000-902B Slatwall bracket 8020 - 8030/8130 (K&M 44102-029-55)



8020 and 8030/8130 on short slatwall bracket.

Associated products



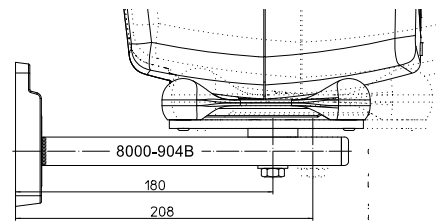
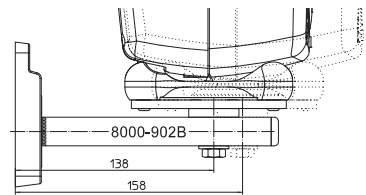
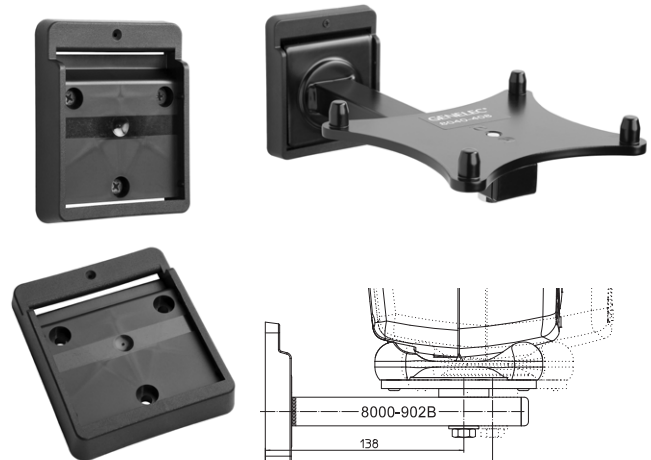
8020-408



Wall mount adapter

Practical plastic adapter to which it is easy to attach a Slatwall arm and additional Stand-plate. The adapter is attached to the wall using 3 screws. An additional security screw ensures that the product support arm is stable and held in place. Can handle weight of up to 8250 models. Dimensions 101 x 84 x 18 mm. For Slatwall brackets 8000-902B and 8000-904B.

8000-909B Wall mount adapter for slatwall brackets, black (K&M 44060-000-55)



Associated products



8020-408



8000-902B



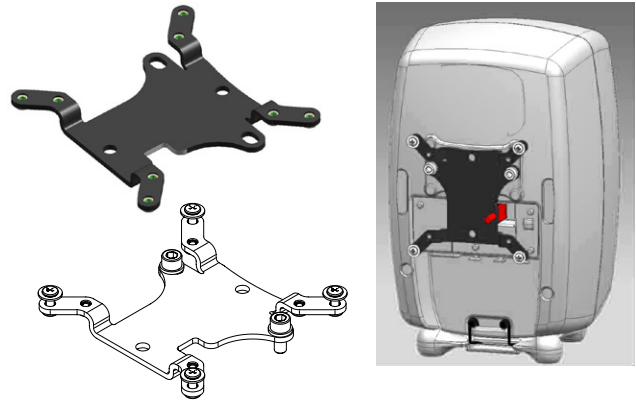
8000-904B

VESA-adapter for 8000-series

Today many broadcast environments and post-production studios have changed the way of installing video monitors. Instead of using 19" rack systems such LCD /Plasma screens are now placed in so-called flat "media walls". All of them feature the international mechanical mounting system called VESA standard.

We all know pictures need to be completed with sound, and therefore we have made a simple adapter fitting all Genelec 8000-speakers. With this small adapter one can mount 8000 series monitors into any kind of VESA 75/100 based accessories.

8000-437B VESA adapter 75/100 mm (K&M 24483-015-55)



Carrying accessories

Bags for Genelec loudspeakers

Soft transportation bags for Genelec loudspeakers.

8020-423 Soft carrying bag for two pcs 8X20 (Genelec)



ACCESSORIES FOR GENELEC MONITORS

8030

8330

4030

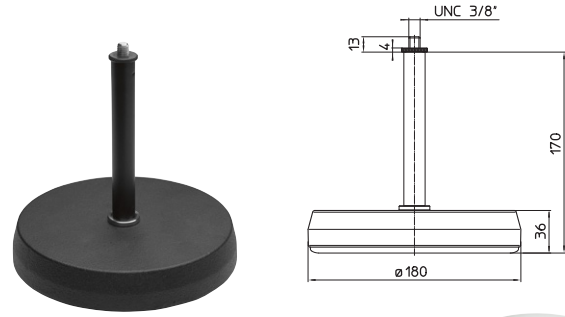
G3

Table stands

Short table stand

Short table stand providing a raised position for near-field monitors. Suitable for 8010, 8020, 8030 and 8040. Heavy black cast iron base with anti-vibration rubber ring, diameter 17 mm. Mounting 3/8" thread on the tube top. Preferably used together with stand plates for better positioning. The 8020 and 8030 models have an integrated 3/8" thread for possible direct fixing without stand plate. The 8040 model must be installed with a stand plate. Not to be used with 8331.

8000-406 Short table stand (17 cm) (K&M 23310-370-55)



8000-406



8000-406 with stand plate.

Associated products

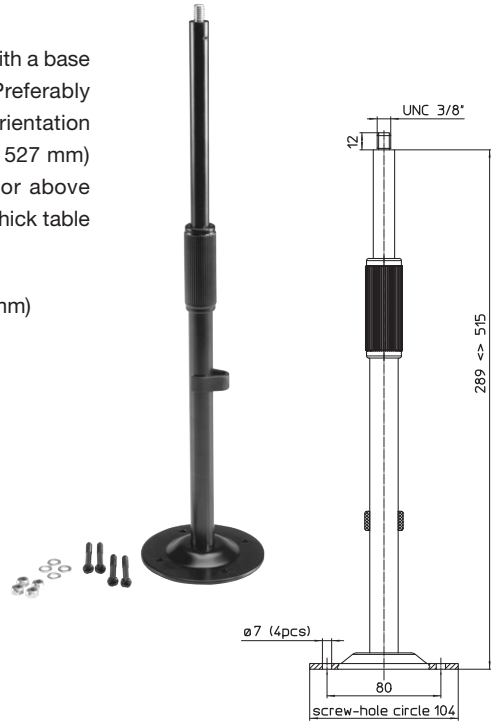


8030-408

Adjustable height table stand

Adjustable height table stand for 8010, 8020 and 8030 with a base plate that can be attached to a table or flat surface. Preferably used with stand plate and Iso-Pod for better monitor orientation (see picture below). The telescopic tube length (301 to 527 mm) is designed for optimum monitor positioning behind or above computer screens. Screws and fixing nuts for a 40 mm thick table are included.

8000-425B Adjustable height table stand (301-527 mm) (K&M 23360-300-55)



Speaker fitted on 8000-425B with stand plate.

Associated products



8030-408

L-shape table stands

With these stands it is easy to position the speaker on a table with better aiming to the listening position, causing less reflections from the table surface. All stands have 0-20 degree tilt angle adjustment upwards.

For 8010 and 8X20 sizes vertical mounting. For 8X3X, 8X4X and 8X5X sizes vertical and also horizontal mounting is possible.

Models shown on the next pages.

New



L-shape stand 8010-320W and 8010



L-shape stand 8000-323B and 8331



L-shape stand 8000-325W and 8341



L-shape stand 8000-325B and 8351

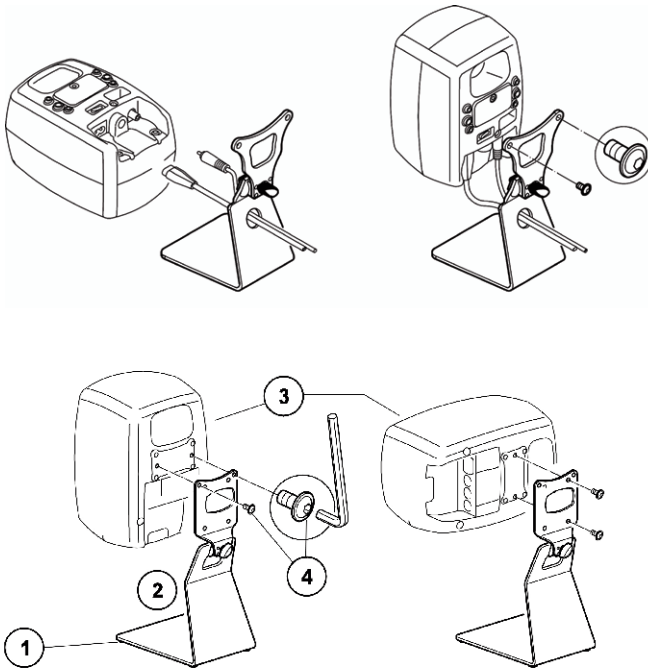
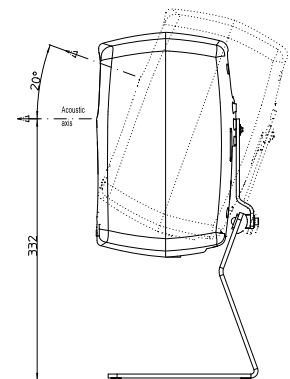


Table stand L-shape for 8X3X

Design L-shape table stand for 8X3X, with adjustable tilt angle up. Available in black and white powder coat finish.

8000-323B Table stand L-shape for 8X3X, black (K&M 23275-000-56)

8000-323W Table stand L-shape for 8X3X, white (K&M 23275-000-68)



Floor stands

Design floor stand

After a long development journey together with K&M, we can finally offer the “Genelec designed floor stand” for the 8000 Series loudspeakers. Harri Koskinen, industrial designer and partner in the design of the 8000 Series loudspeaker made the first drawings several years ago.

This very stable and elegant steel stand has a 420 x 420 mm cast base with an oversized rod combination. Gradual height adjustment is made by a superior positioning and clamping knob. Quick, uncomplicated mounting of the monitor is accomplished using the suspension device. This floor stand is mainly designed for 8040, 8340, 8341, 8350 and 8351. Weight: 13.4 kg, Height: variable between 1100/1700 mm.

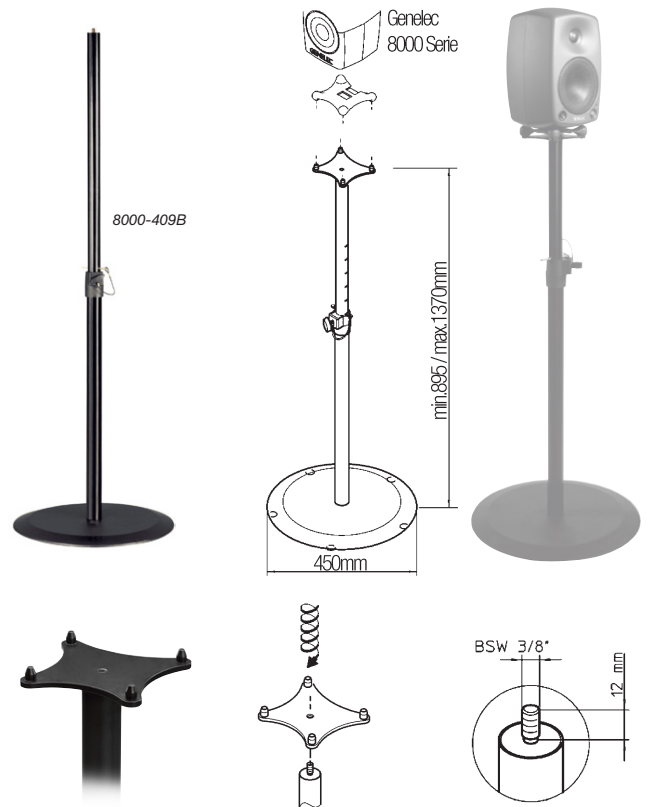
8000-400 Genelec Design stand (K&M 26785-018-56)



Floor stand

Stable steel stand with a broad round cast iron base. Base diameter 450 mm. Adjustable height using clamping screw and safety pin. Mounting 3/8" thread for any Genelec stand plates, from 8020 to 8050 model. Load capacity: 35 kg. Weight: 10.6 kg. Height: 950 to 1430 mm. Packing: double cardboard packing; iron base in one and stand in the second. Suitable for all models between 8010 – 8351.

8000-409B Floor stand (950-1430 mm) for 1032 (K&M 26741-029-55)



Associated products



8030-408



1038-605

Stand plates

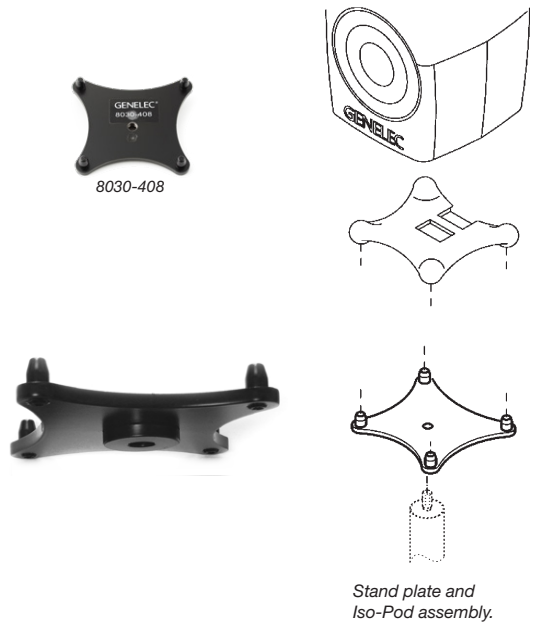
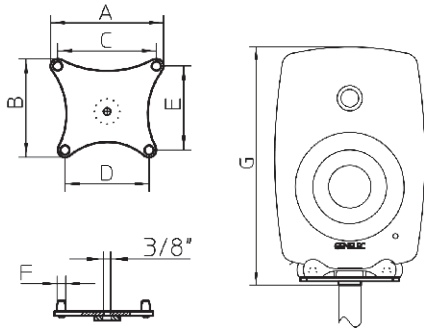
Stand plate for 8X30, 8331

Genelec stand plates are designed for use together with the Iso-Pod that comes with all 8000 series monitors. The Iso-Pod allows you to tilt the monitor for optimal alignment. Simply mount the stand plate onto the 3/8" thread on the tube and ensure tight screw connection. Place the Iso-Pod over the four pins of the stand plate.

8030-408 Stand plate for 8X30, 8331 Iso-Pod (K&M 19623-329-55)

8030	
A	126
B	110
C	108
D	93
E	92
F	∅10
G	311

(mm)



8030
8330
4030
G3

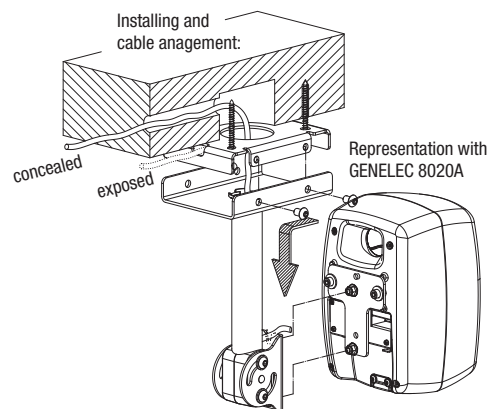
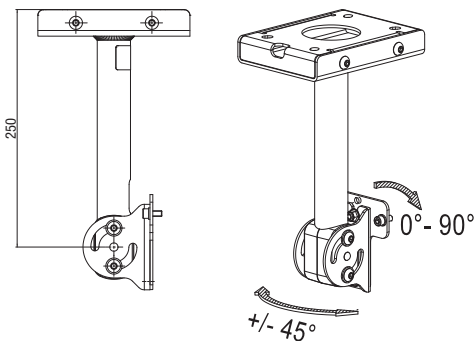
Ceiling mounts

Short ceiling mount

For all 8000 series models. Available in black and white.

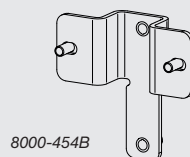
8000-436B Short ceiling mount, black (K&M 24486-000-55)

8000-436W Short ceiling mount, white (K&M 24486-000-57)



Associated product

Needed for mounting of 8320 and 8330 only.



Short adjustable ceiling mount

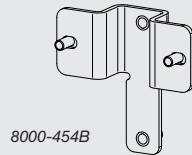
Adjustable ceiling mount for all 8000 series models, possible to down tilt up to 90 degrees. The tube have openings in each end, possible to have cables in the 50 mm tube. Available in black and white.

8000-442B Short adjustable ceiling mount, black
(K&M 24491-000-55)

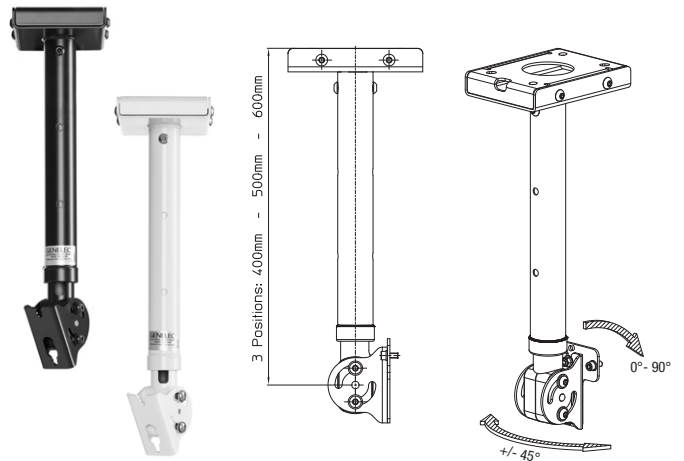
8000-442W Short adjustable ceiling mount, white
(K&M 24491-000-57)

Associated product

Needed for mounting of 8320 and 8330 only.



8000-454B



Long adjustable ceiling mount

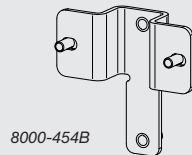
Adjustable ceiling mount for all 8000 series models, possible to down tilt up to 90 degrees. The tube have openings in each end, possible to have cables in the 50 mm tube. Available in black and white.

8000-444B Long adjustable ceiling mount, black
(K&M 24494-000-55)

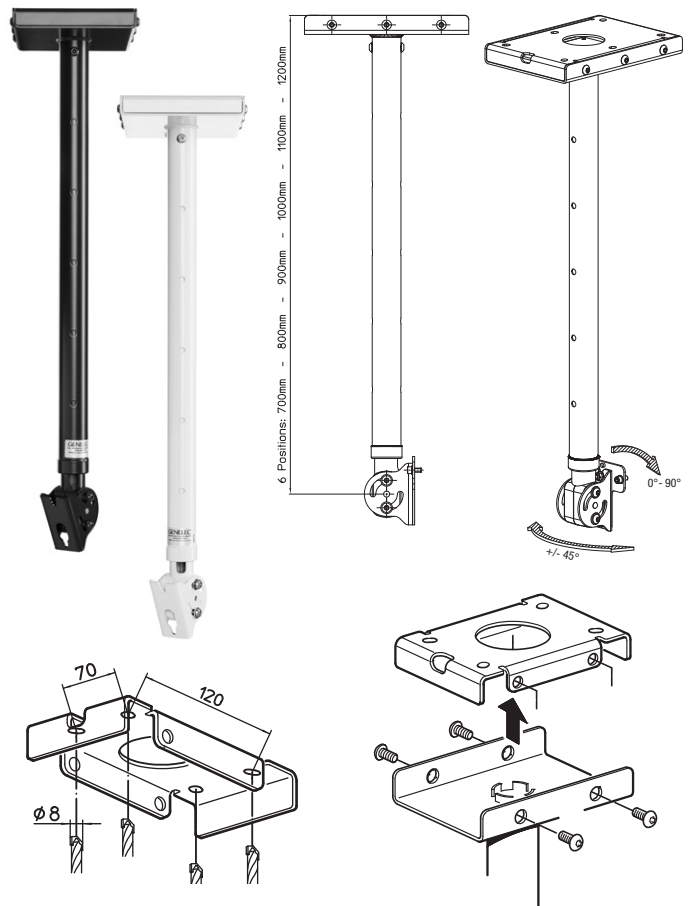
8000-444W Long adjustable ceiling mount, white
(K&M 24494-000-57)

Associated product

Needed for mounting of 8320 and 8330 only.



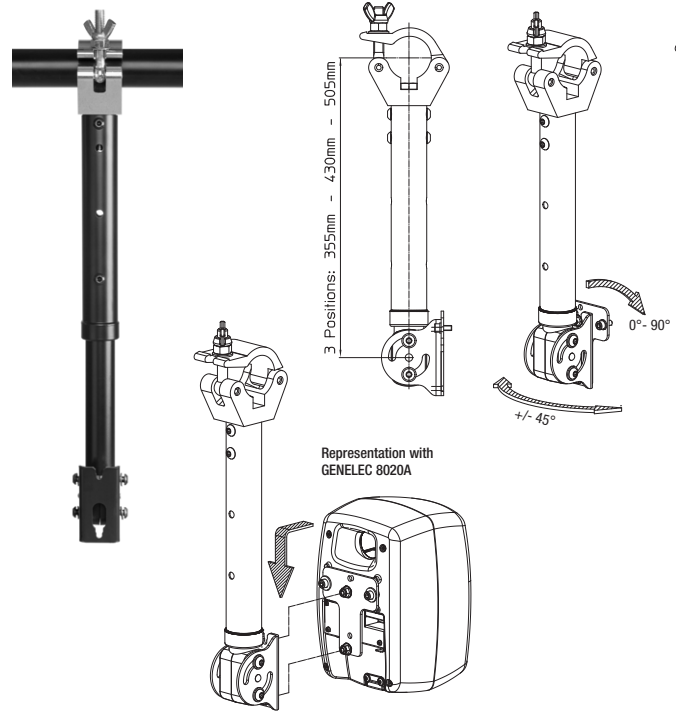
8000-454B



Truss mount, adjustable length

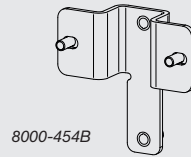
Truss mount with adjustable length. Clamp for Ø50 mm tube. Adaptable up to 8351 models.

8000-446B Truss mount kit, adjustable length, black (K&M 24499-000-55)



Associated product

Needed for mounting of 8320 and 8330 only.

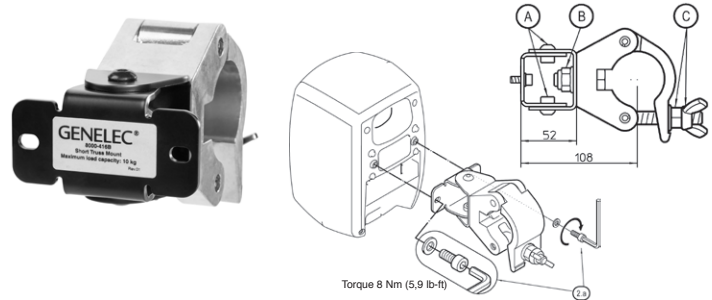


8030
8330
4030
G3

Short truss mount

Short truss mount with clamp for Ø50 mm tube. Adaptable for 8000 and 4000 series.

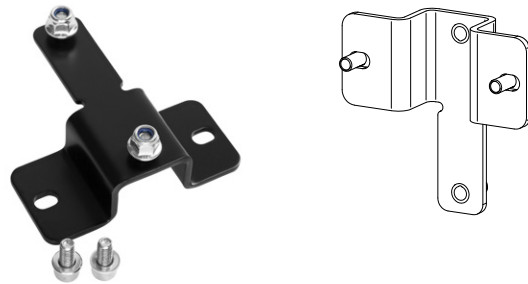
8000-416B Short truss mount with clamp (K&M 24493-000-55)



T-adapter plate

T-adapter plate for Genelec 8320 and 8330.

8000-454B T-adapter plate (K&M 24452-000-55)

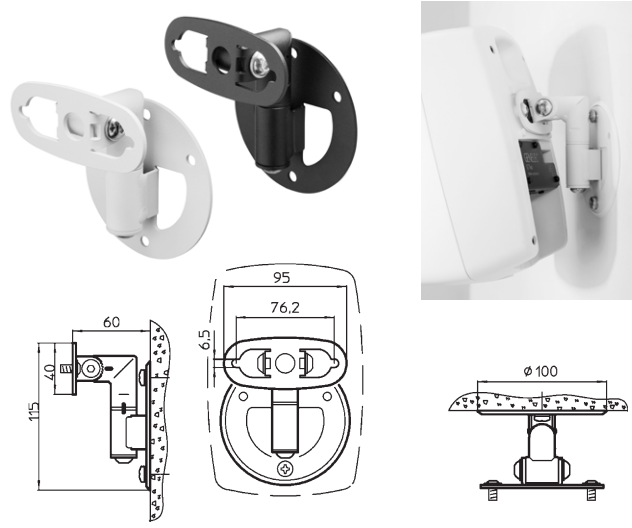


Wall mounts

Adjustable wall mount with T-plate

Wall mount bracket for 8010, 8020 and 8030. Available in black and white.

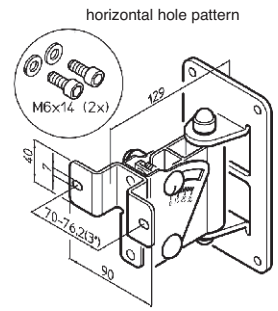
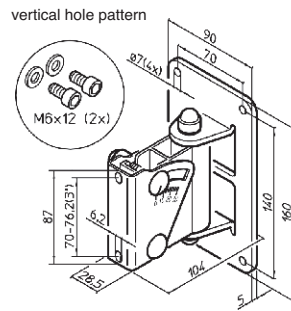
- 8000-422B** Wall mount with T-plate, black (K&M 24160-000-56)
- 8000-422W** Wall mount with T-plate, white (K&M 24160-000-57)



Adjustable wall mount

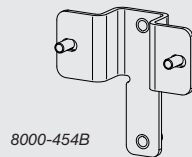
Wall mounting bracket for 8000 series. Available in black and white. 8X40, 8341, 8X50 and 8351 do not need the included T-plate.

- 8000-402B** Wall mounting bracket, black (K&M 24475-000-55)
- 8000-402W** Wall mounting bracket, white (K&M 24475-000-57)



Associated product

Needed for mounting of 8320 and 8330 only.



8000-454B

Slatwall mounts and adapters

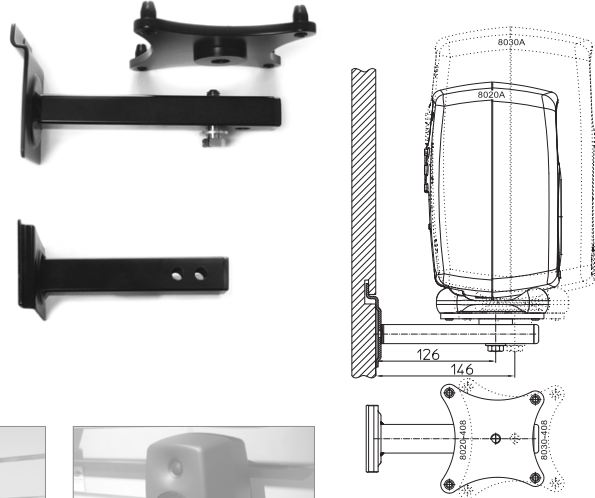
Slatwall brackets

Slatwall brackets for 8000 series monitors. Each bracket can support one stand plate to allow easy positioning and angling of the monitors.

Short slatwall bracket

Slatwall bracket for 8010, 8020 and 8030/8130.

8000-902B Slatwall bracket 8020 - 8030/8130 (K&M 44102-029-55)



8020 and 8030/8130 on short slatwall bracket.

8030
8330
4030
G3

Associated products



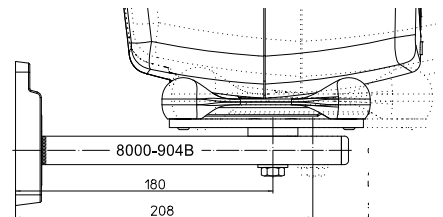
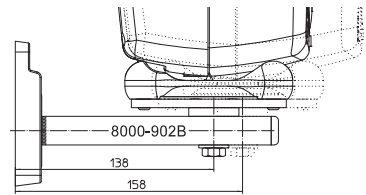
8030-408



Wall mount adapter

Practical plastic adapter to which it is easy to attach a Slatwall arm and additional Stand-plate. The adapter is attached to the wall using 3 screws. An additional security screw ensures that the product support arm is stable and held in place. Can handle weight of up to 8250 models. Dimensions 101 x 84 x 18 mm. For Slatwall brackets 8000-902B and 8000-904B.

8000-909B Wall mount adapter for slatwall brackets, black (K&M 44060-000-55)



Associated products



8030-408



8000-902B



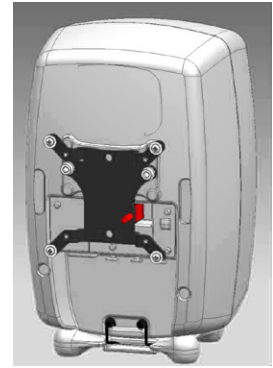
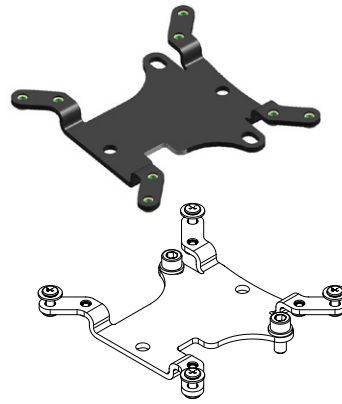
8000-904B

VESA-adapter for 8000-series

Today many broadcast environments and post-production studios have changed the way of installing video monitors. Instead of using 19" rack systems such LCD /Plasma screens are now placed in so-called flat "media walls". All of them feature the international mechanical mounting system called VESA standard.

We all know pictures need to be completed with sound, and therefore we have made a simple adapter fitting all Genelec 8000-speakers. With this small adapter one can mount 8000 series monitors into any kind of VESA 75/100 based accessories.

8000-437B VESA adapter 75/100 mm (K&M 24483-015-55)



8030
8330
4030
G3

Carrying accessories

Peli cases

Portable demo cases for easy travelling and demonstrations. Cases with room for mic stands, GLM kit, cables and more.



8030
8330
4030
G3

Peli Case 31

Portable demo case for easy travelling and demonstrations. Case 31 has room for two 8X30/8331 plus accessories.

8000-831 Empty case for two pcs 8X30/8331



Bags for Genelec loudspeakers

Soft transportation bags for Genelec loudspeakers.

8030-423 Soft carrying bag for two pcs 8X3X (Genelec)



8030
8330
4030
G3

ACCESSORIES FOR GENELEC MONITORS

8040

8340

4040

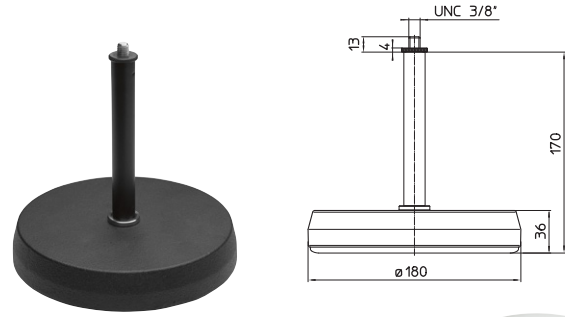
G4

Table stands

Short table stand

Short table stand providing a raised position for near-field monitors. Suitable for 8010, 8020, 8030 and 8040. Heavy black cast iron base with anti-vibration rubber ring, diameter 17 mm. Mounting 3/8" thread on the tube top. Preferably used together with stand plates for better positioning. The 8020 and 8030 models have an integrated 3/8" thread for possible direct fixing without stand plate. The 8040 model must be installed with a stand plate. Not to be used with 8331.

8000-406 Short table stand (17 cm) (K&M 23310-370-55)



8000-406



8000-406 with stand plate.

Associated products



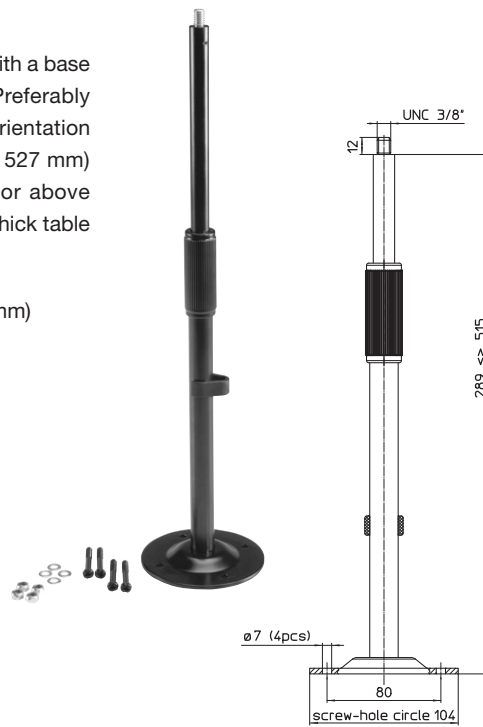
8040-408

8040
8340
4040
G4

Adjustable height table stand

Adjustable height table stand for 8010, 8020 and 8030 with a base plate that can be attached to a table or flat surface. Preferably used with stand plate and Iso-Pod for better monitor orientation (see picture below). The telescopic tube length (301 to 527 mm) is designed for optimum monitor positioning behind or above computer screens. Screws and fixing nuts for a 40 mm thick table are included.

8000-425B Adjustable height table stand (301-527 mm) (K&M 23360-300-55)



Speaker fitted on 8000-425B with stand plate.

Associated products



8040-408

L-shape table stands

With these stands it is easy to position the speaker on a table with better aiming to the listening position, causing less reflections from the table surface. All stands have 0-20 degree tilt angle adjustment upwards.

For 8010 and 8X20 sizes vertical mounting. For 8X3X, 8X4X and 8X5X sizes vertical and also horizontal mounting is possible.

Models shown on the next pages.

New



L-shape stand 8010-320W and 8010



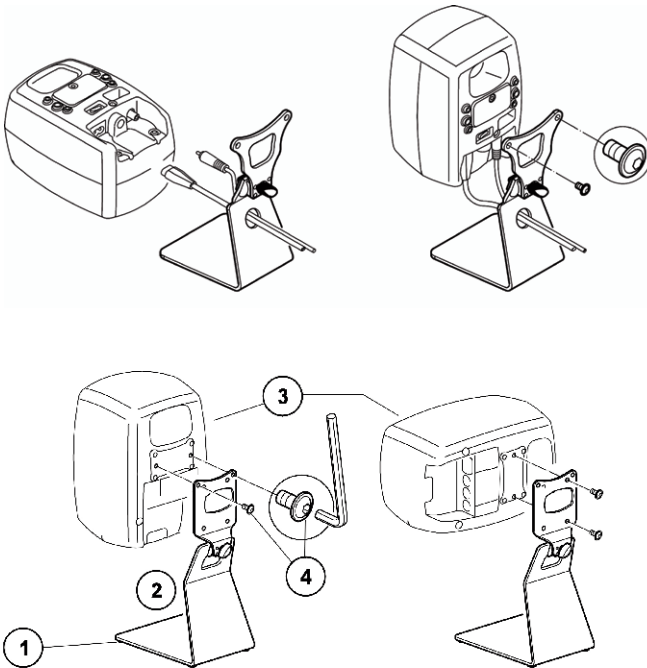
L-shape stand 8000-323B and 8331



L-shape stand 8000-325W and 8341



L-shape stand 8000-325B and 8351



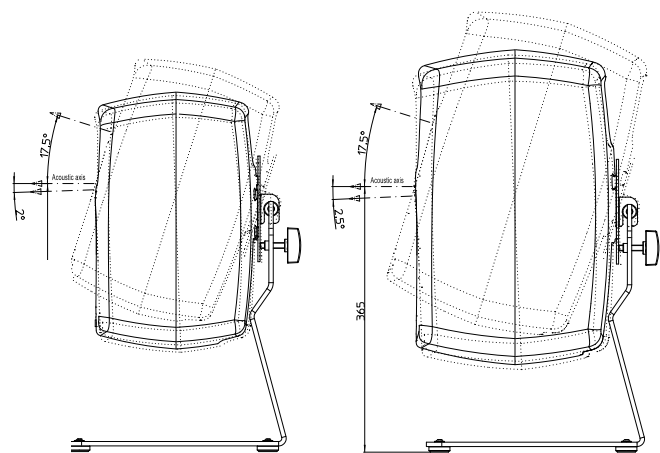
8040
8340
4040
G4

Table stand L-shape for 8X4X and 8X5X

Design L-shape table stand for 8X4X and 8X5X, with adjustable tilt angle up. Available in black and white powder coat finish.

8000-325B Table stand L-shape for 8X4X and 8X5X, black (K&M 23276-000-56)

8000-325W Table stand L-shape for 8X4X and 8X5X, white (K&M 23276-000-68)



Floor stands

Design floor stand

After a long development journey together with K&M, we can finally offer the “Genelec designed floor stand” for the 8000 Series loudspeakers. Harri Koskinen, industrial designer and partner in the design of the 8000 Series loudspeaker made the first drawings several years ago.

This very stable and elegant steel stand has a 420 x 420 mm cast base with an oversized rod combination. Gradual height adjustment is made by a superior positioning and clamping knob. Quick, uncomplicated mounting of the monitor is accomplished using the suspension device. This floor stand is mainly designed for 8040, 8340, 8341, 8350 and 8351. Weight: 13.4 kg, Height: variable between 1100/1700 mm.

8000-400 Genelec Design stand (K&M 26785-018-56)

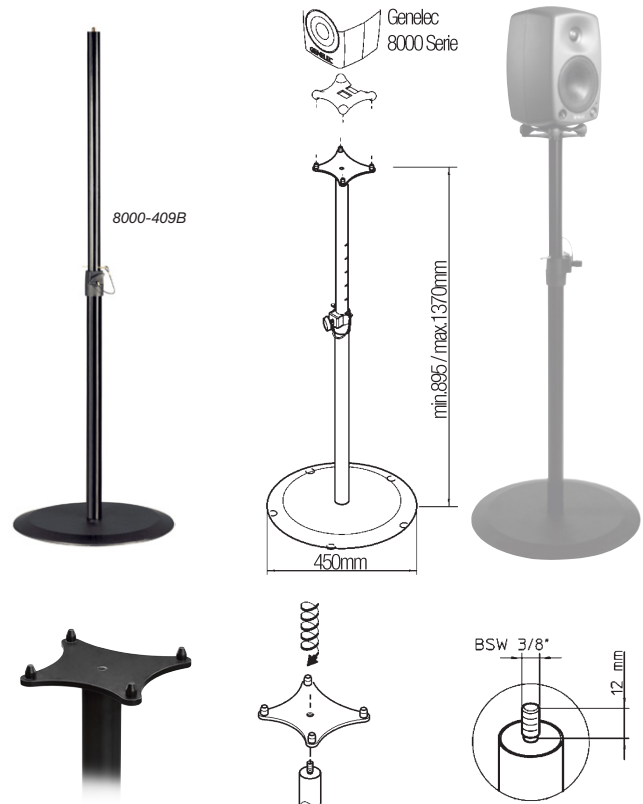


8040
8340
4040
G4

Floor stand

Stable steel stand with a broad round cast iron base. Base diameter 450 mm. Adjustable height using clamping screw and safety pin. Mounting 3/8" thread for any Genelec stand plates, from 8020 to 8050 model. Load capacity: 35 kg. Weight: 10.6 kg. Height: 950 to 1430 mm. Packing: double cardboard packing; iron base in one and stand in the second. Suitable for all models between 8010 – 8351.

8000-409B Floor stand (950-1430 mm) for 1032 (K&M 26741-029-55)



Associated products



8040-408



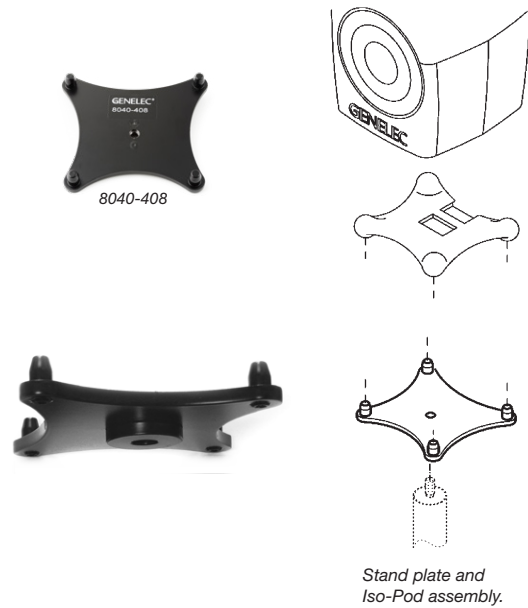
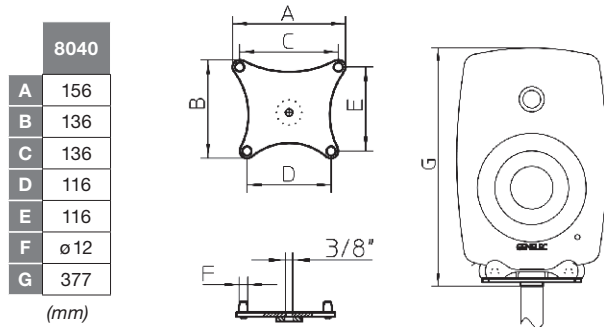
1038-605

Stand plates

Stand plate for 8X40, 8341

Genelec stand plates are designed for use together with the Iso-Pod that comes with all 8000 series monitors. The Iso-Pod allows you to tilt the monitor for optimal alignment. Simply mount the stand plate onto the 3/8" thread on the tube and ensure tight screw connection. Place the Iso-Pod over the four pins of the stand plate.

8040-408 Stand plate for 8X40, 8341 Iso-Pod (K&M 19624-329-55)



8040
8340
4040
G4

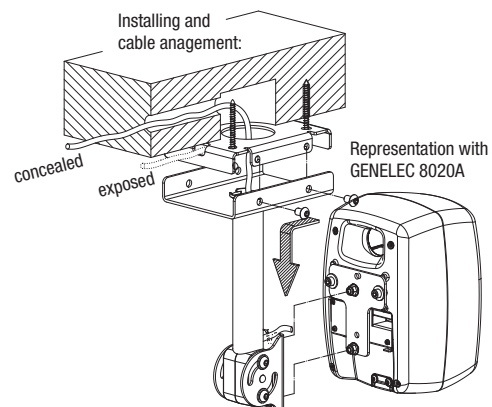
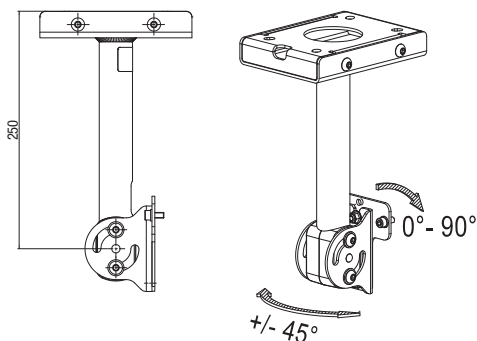
Ceiling mounts

Short ceiling mount

For all 8000 series models. Available in black and white.

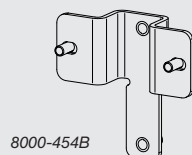
8000-436B Short ceiling mount, black (K&M 24486-000-55)

8000-436W Short ceiling mount, white (K&M 24486-000-57)



Associated product

Needed for mounting of 8320 and 8330 only.



Short adjustable ceiling mount

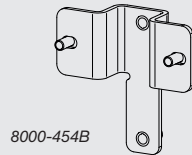
Adjustable ceiling mount for all 8000 series models, possible to down tilt up to 90 degrees. The tube have openings in each end, possible to have cables in the 50 mm tube. Available in black and white.

8000-442B Short adjustable ceiling mount, black
(K&M 24491-000-55)

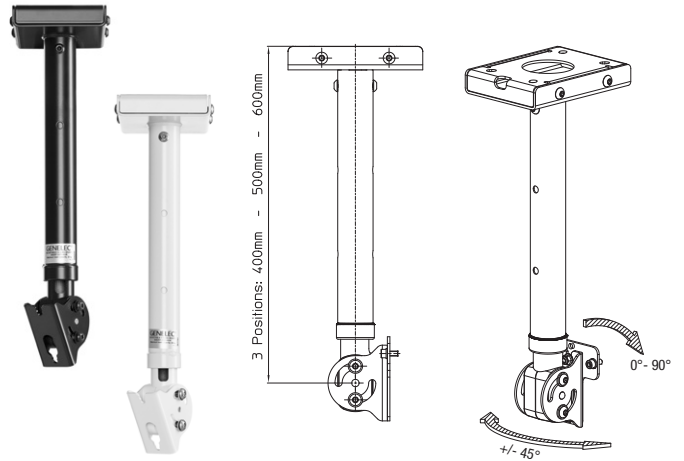
8000-442W Short adjustable ceiling mount, white
(K&M 24491-000-57)

Associated product

Needed for mounting of 8320 and 8330 only.



8000-454B



Long adjustable ceiling mount

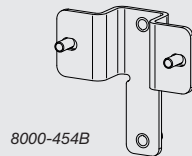
Adjustable ceiling mount for all 8000 series models, possible to down tilt up to 90 degrees. The tube have openings in each end, possible to have cables in the 50 mm tube. Available in black and white.

8000-444B Long adjustable ceiling mount, black
(K&M 24494-000-55)

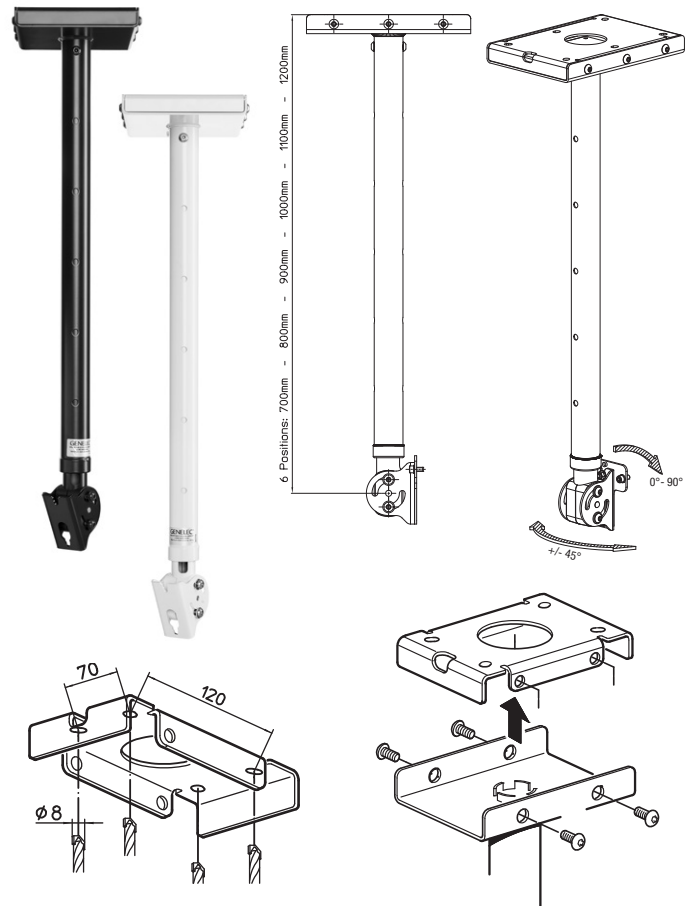
8000-444W Long adjustable ceiling mount, white
(K&M 24494-000-57)

Associated product

Needed for mounting of 8320 and 8330 only.



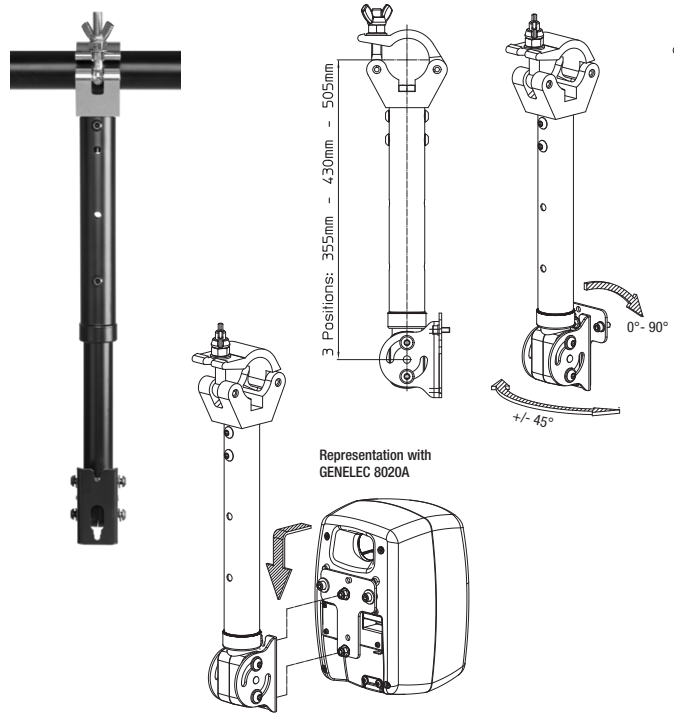
8000-454B



Truss mount, adjustable length

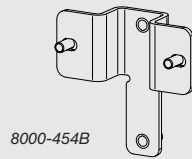
Truss mount with adjustable length. Clamp for Ø50 mm tube. Adaptable up to 8351 models.

8000-446B Truss mount kit, adjustable length, black (K&M 24499-000-55)



Associated product

Needed for mounting of 8320 and 8330 only.



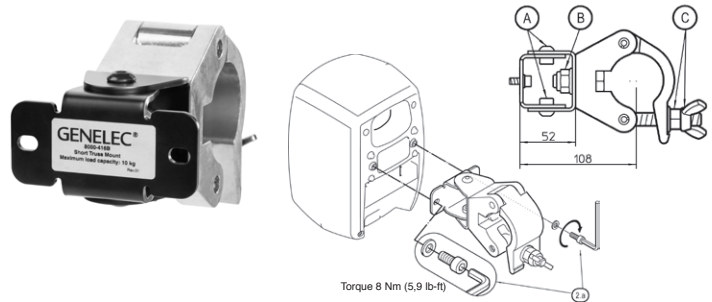
8000-454B

8040
8340
4040
G4

Short truss mount

Short truss mount with clamp for Ø 50 mm tube. Adaptable for 8000 and 4000 series.

8000-416B Short truss mount with clamp (K&M 24493-000-55)

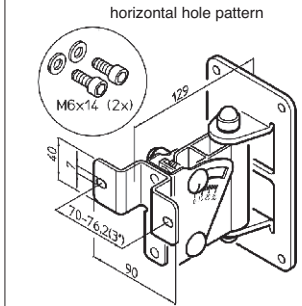
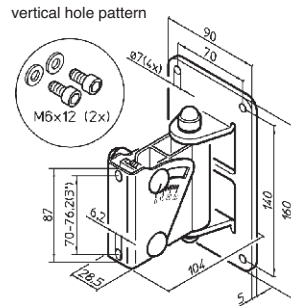


Wall mounts

Adjustable wall mount

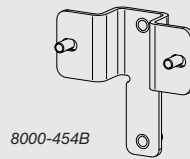
Wall mounting bracket for 8000 series. Available in black and white. 8X40, 8341, 8X50 and 8351 do not need the included T-plate.

- 8000-402B** Wall mounting bracket, black (K&M 24475-000-55)
- 8000-402W** Wall mounting bracket, white (K&M 24475-000-57)



Associated product

Needed for mounting of 8320 and 8330 only.



8000-454B

Slatwall mounts and adapters

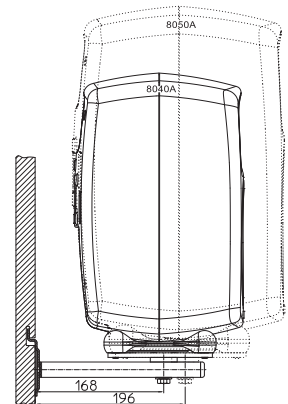
Slatwall brackets

Slatwall brackets for 8000 series monitors. Each bracket can support one stand plate to allow easy positioning and angling of the monitors.

Long slatwall bracket

Slatwall bracket for 8040/8240 and 8050/8250.

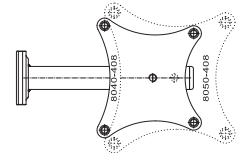
- 8000-904B** Slatwall bracket 8040/8240 - 8050/8250 (K&M 44104-029-55)



Associated products



8040-408



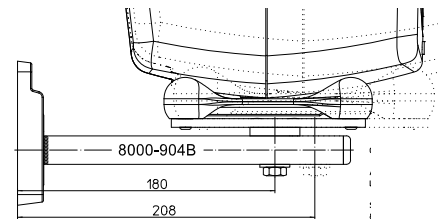
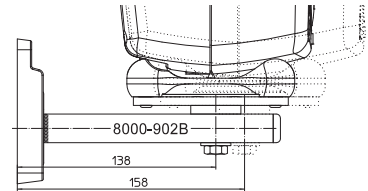
8040/8240 and 8050/8250 on long slatwall bracket.

8040
8340
4040
G4

Wall mount adapter

Practical plastic adapter to which it is easy to attach a Slatwall arm and additional Stand-plate. The adapter is attached to the wall using 3 screws. An additional security screw ensures that the product support arm is stable and held in place. Can handle weight of up to 8250 models. Dimensions 101 x 84 x 18 mm. For Slatwall brackets 8000-902B and 8000-904B.

8000-909B Wall mount adapter for slatwall brackets, black (K&M 44060-000-55)



Associated products



8040-408



8000-902B



8000-904B

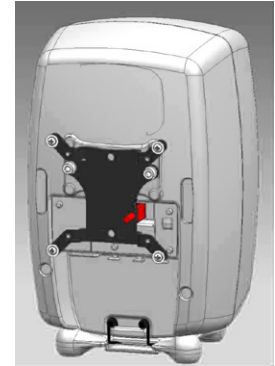
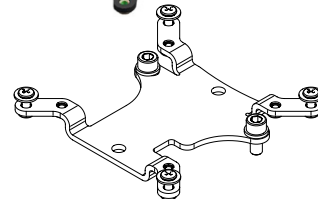
8040
8340
4040
G4

VESA-adapter for 8000-series

Today many broadcast environments and post-production studios have changed the way of installing video monitors. Instead of using 19" rack systems such LCD /Plasma screens are now placed in so-called flat "media walls". All of them feature the international mechanical mounting system called VESA standard.

We all know pictures need to be completed with sound, and therefore we have made a simple adapter fitting all Genelec 8000-speakers. With this small adapter one can mount 8000 series monitors into any kind of VESA 75/100 based accessories.

8000-437B VESA adapter 75/100 mm (K&M 24483-015-55)

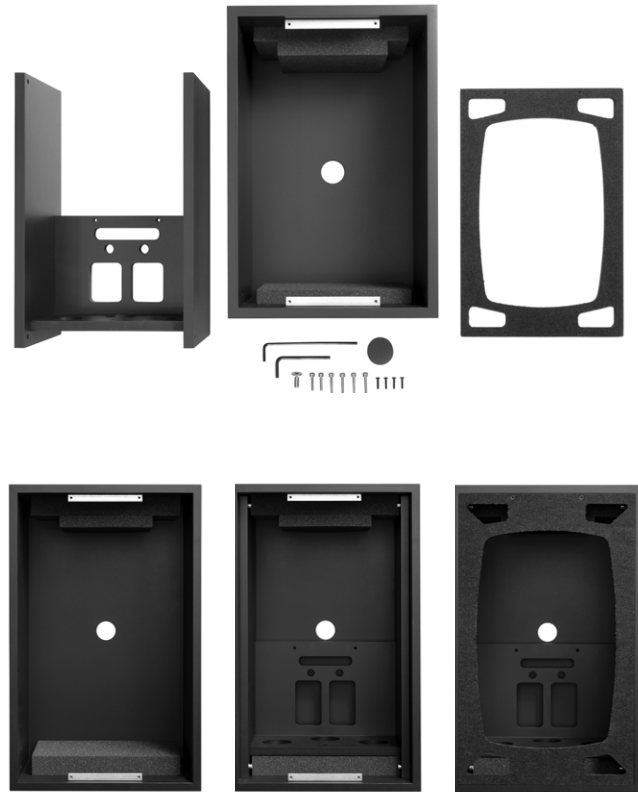
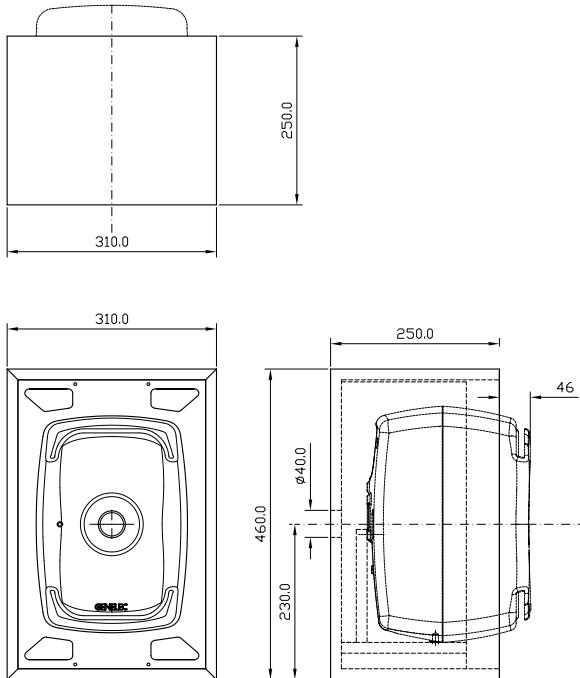


Flush mounts

Flush mount kit for 8000-series

Genelec Flush mount kits are designed for mounting Genelec monitors into a sturdy wall structure without changing the acoustic performance of the product. Horizontal mounting is also possible. They may not be used for any other purpose.

8041-450B Flush mount kit for 8040/8340/8341 (Genelec)



8040
8340
4040
G4

Carrying accessories

Peli cases

Portable demo cases for easy travelling and demonstrations. Cases with room for mic stands, GLM kit, cables and more.



8040
8340
4040
G4

Peli Case 41

Portable demo case for easy travelling and demonstrations. Case 41 has room for two pcs 8X40/8341 plus accessories.

8000-841 Empty case for two pcs 8X40/8341



Bags for Genelec loudspeakers

Soft transportation bags for Genelec loudspeakers.

8040-423 Soft carrying bag for two pcs 8X4X or 1pc 7040 (Genelec)



8040
8340
4040
G4

ACCESSORIES FOR GENELEC MONITORS

8050

8350

G5

Table stands

L-shape table stands

With these stands it is easy to position the speaker on a table with better aiming to the listening position, causing less reflections from the table surface. All stands have 0-20 degree tilt angle adjustment upwards.

For 8010 and 8X20 sizes vertical mounting. For 8X3X, 8X4X and 8X5X sizes vertical and also horizontal mounting is possible.

Models shown on the next pages.

New



L-shape stand 8010-320W and 8010



L-shape stand 8000-323B and 8331



L-shape stand 8000-325W and 8341



L-shape stand 8000-325B and 8351

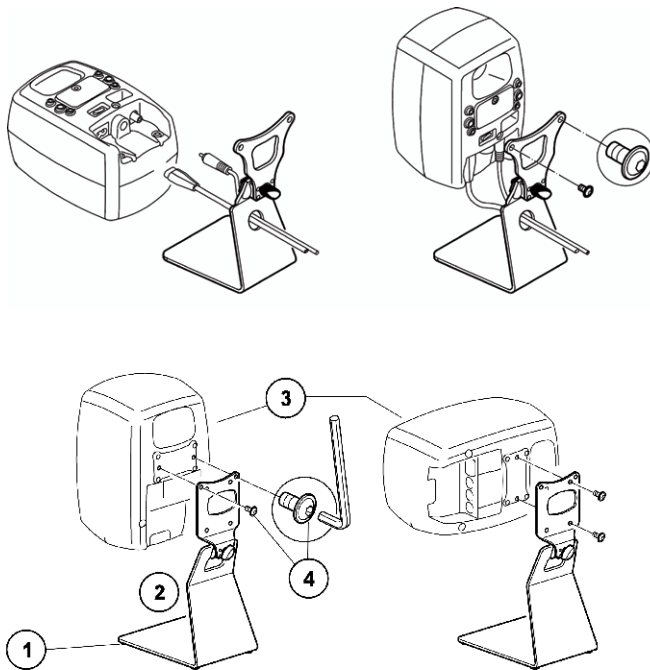
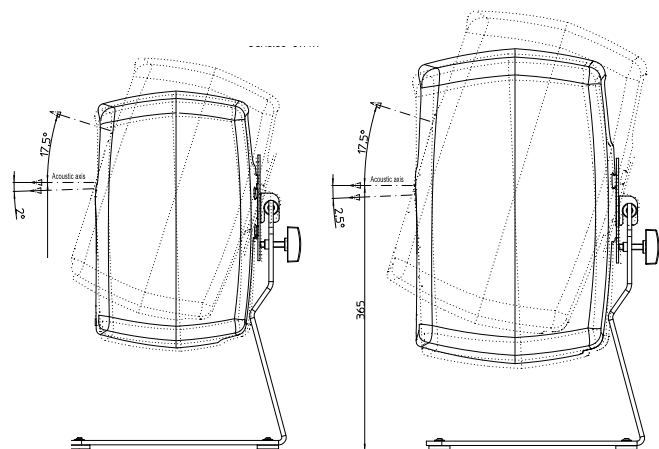


Table stand L-shape for 8X4X and 8X5X

Design L-shape table stand for 8X4X and 8X5X, with adjustable tilt angle up. Available in black and white powder coat finish.

8000-325B Table stand L-shape for 8X4X and 8X5X, black (K&M 23276-000-56)

8000-325W Table stand L-shape for 8X4X and 8X5X, white (K&M 23276-000-68)



Floor stands

Design floor stand

After a long development journey together with K&M, we can finally offer the “Genelec designed floor stand” for the 8000 Series loudspeakers. Harri Koskinen, industrial designer and partner in the design of the 8000 Series loudspeaker made the first drawings several years ago.

This very stable and elegant steel stand has a 420 x 420 mm cast base with an oversized rod combination. Gradual height adjustment is made by a superior positioning and clamping knob. Quick, uncomplicated mounting of the monitor is accomplished using the suspension device. This floor stand is mainly designed for 8040, 8340, 8341, 8350 and 8351. Weight: 13.4 kg, Height: variable between 1100/1700 mm.

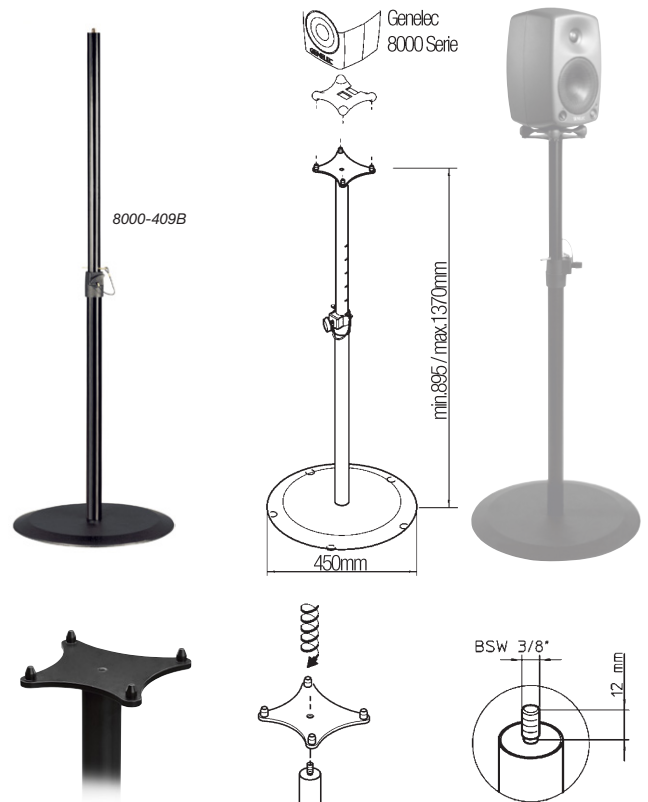
8000-400 Genelec Design stand (K&M 26785-018-56)



Floor stand

Stable steel stand with a broad round cast iron base. Base diameter 450 mm. Adjustable height using clamping screw and safety pin. Mounting 3/8" thread for any Genelec stand plates, from 8020 to 8050 model. Load capacity: 35 kg. Weight: 10.6 kg. Height: 950 to 1430 mm. Packing: double cardboard packing; iron base in one and stand in the second. Suitable for all models between 8010 – 8351.

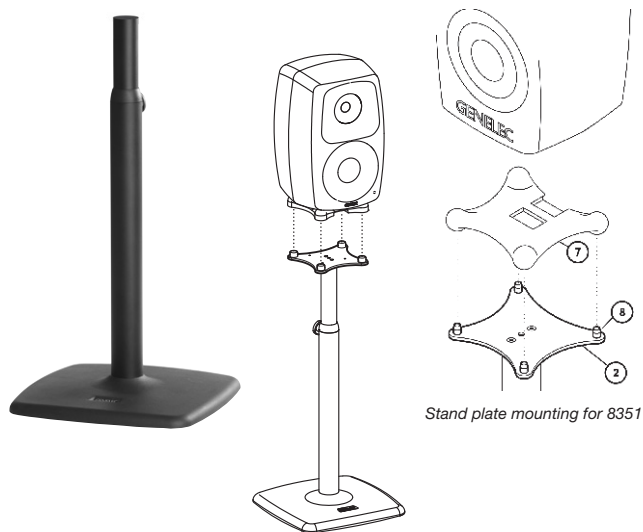
8000-409B Floor stand (950-1430 mm) for 1032 (K&M 26741-029-55)



Design floor stand for 8361, 8260 and 8351

Genelec designed floor stand with variable height between 800/1350 mm, suitable for 8361, 8260 and 8351. Weight 19 kg.

8260-415B Floor stand for 8x5x, 8361, 8260 (K&M 26795-018-56)



Floor stand for S360 and 8XXX

Genelec design floorstand with adjustable height in 50mm steps between 794 - 1344 mm.

For models 8350, 8351 and G5:

Can be used with Stand plate 8051-408.

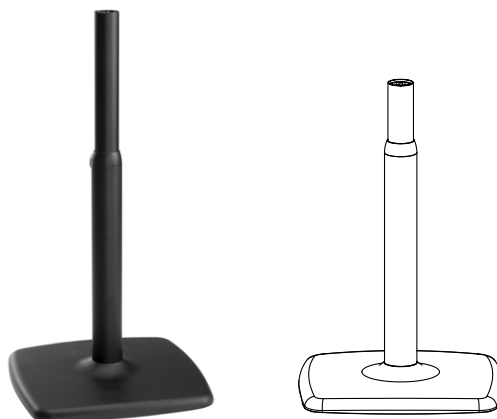
For models 8351, 8260 and 8361:

Can be used with Stand plates 8051-408 and 8260-450B.

For model S360:

Can be used with Stand plate S360-408B or with Side-Side mounting bracket S360-450B.

S360-415B Floor stand for S360 and 8XXX (K&M 26791-000-56)



Stand plates

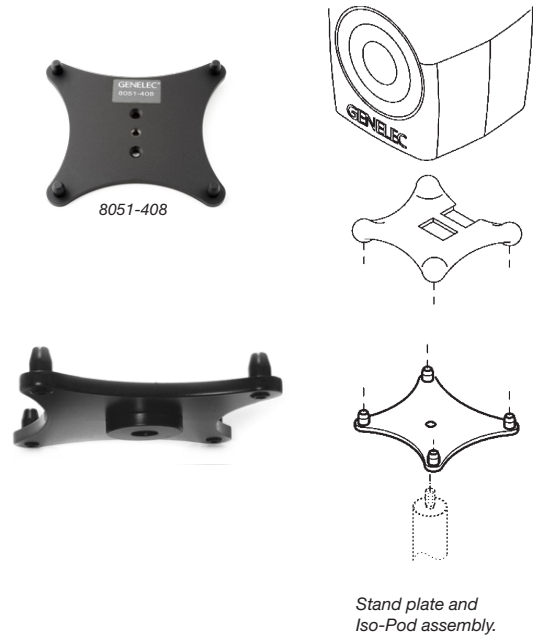
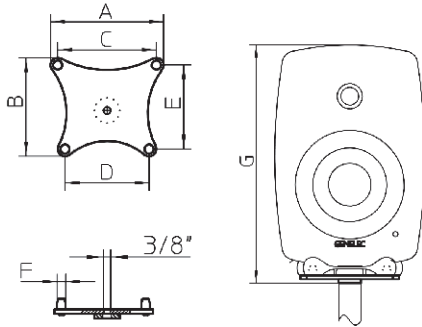
Stand plate for 8X50, 8351

Genelec stand plates are designed for use together with the Iso-Pod that comes with all 8000 series monitors. The Iso-Pod allows you to tilt the monitor for optimal alignment. Simply mount the stand plate onto the 3/8" thread on the tube and ensure tight screw connection. Place the Iso-Pod over the four pins of the stand plate.

8051-408 Stand plate for 8X50, 8351 Iso-Pod (K&M 19625-330-56)

	8050 8351
A	195
B	170
C	170
D	145
E	145
F	∅12
G	464

(mm)



Stand plate and Iso-Pod assembly.

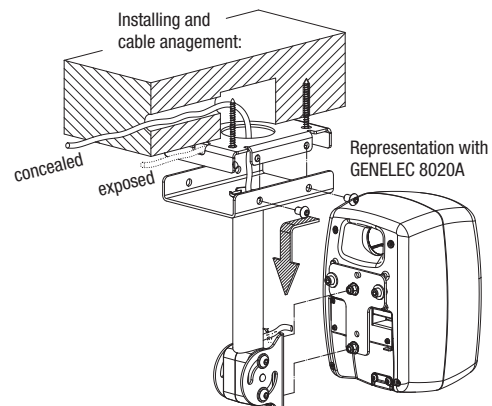
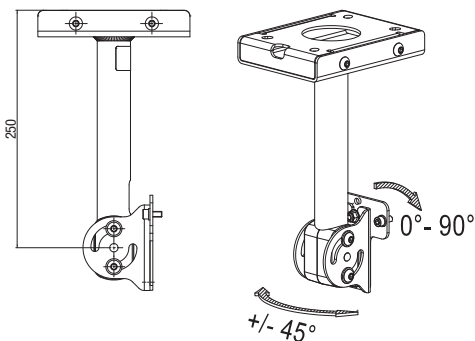
Ceiling mounts

Short ceiling mount

For all 8000 series models. Available in black and white.

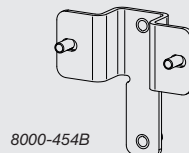
8000-436B Short ceiling mount, black (K&M 24486-000-55)

8000-436W Short ceiling mount, white (K&M 24486-000-57)



Associated product

Needed for mounting of 8320 and 8330 only.



8000-454B

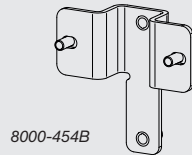
Short adjustable ceiling mount

Adjustable ceiling mount for all 8000 series models, possible to down tilt up to 90 degrees. The tube have openings in each end, possible to have cables in the 50 mm tube. Available in black and white.

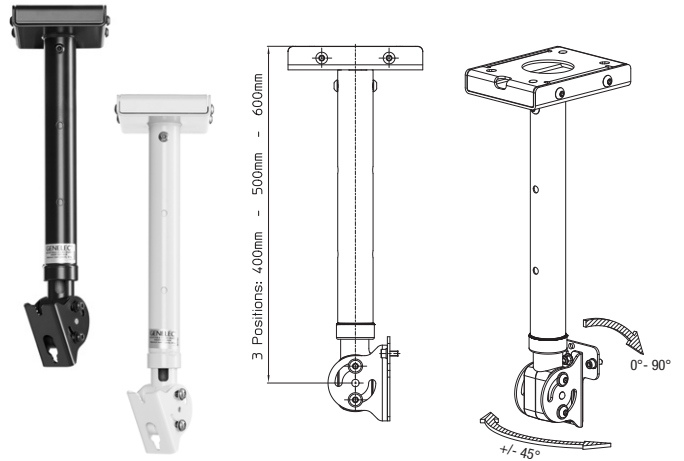
- 8000-442B** Short adjustable ceiling mount, black (K&M 24491-000-55)
- 8000-442W** Short adjustable ceiling mount, white (K&M 24491-000-57)

Associated product

Needed for mounting of 8320 and 8330 only.



8000-454B



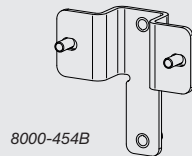
Long adjustable ceiling mount

Adjustable ceiling mount for all 8000 series models, possible to down tilt up to 90 degrees. The tube have openings in each end, possible to have cables in the 50 mm tube. Available in black and white.

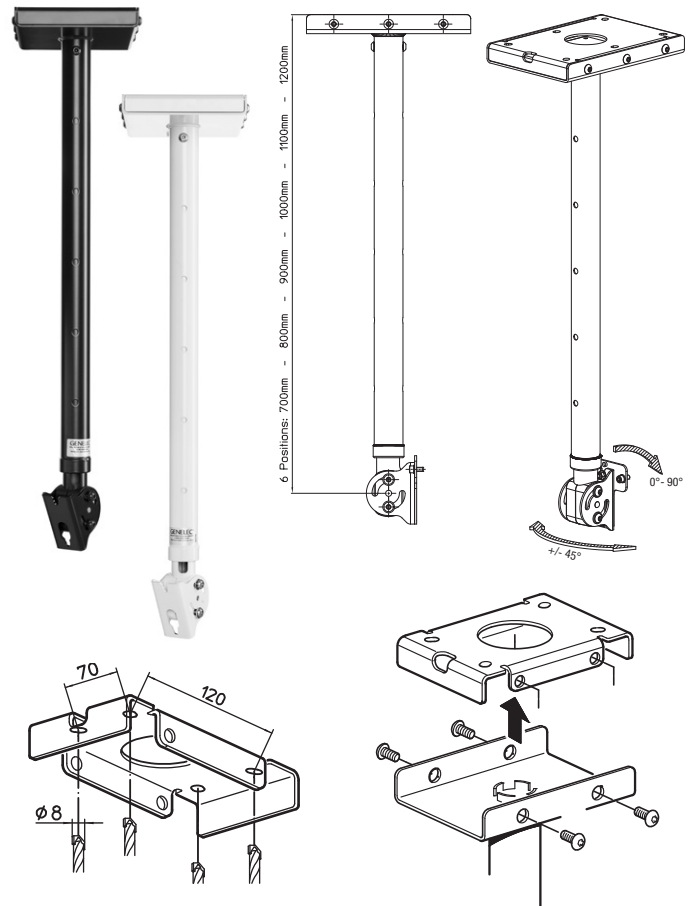
- 8000-444B** Long adjustable ceiling mount, black (K&M 24494-000-55)
- 8000-444W** Long adjustable ceiling mount, white (K&M 24494-000-57)

Associated product

Needed for mounting of 8320 and 8330 only.



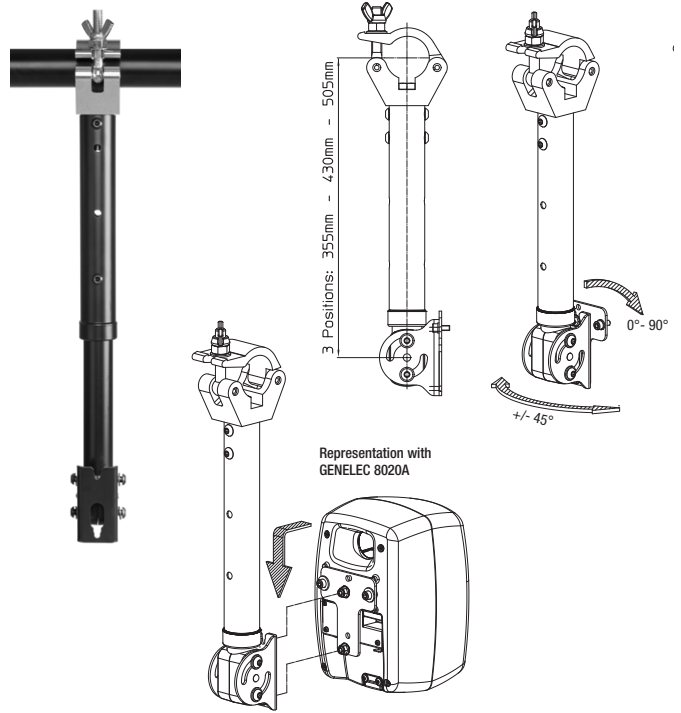
8000-454B



Truss mount, adjustable length

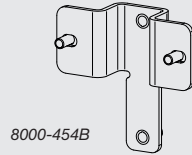
Truss mount with adjustable length. Clamp for Ø50 mm tube. Adaptable up to 8351 models.

8000-446B Truss mount kit, adjustable length, black (K&M 24499-000-55)



Associated product

Needed for mounting of 8320 and 8330 only.

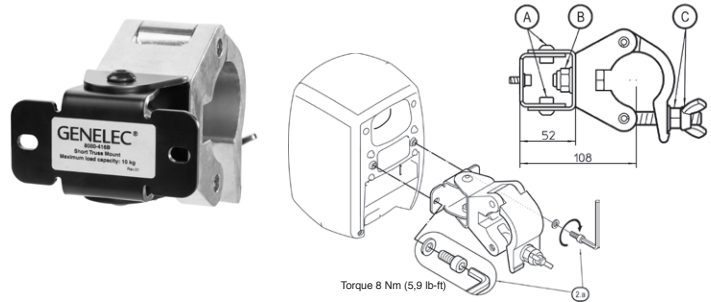


8000-454B

Short truss mount

Short truss mount with clamp for Ø 50 mm tube. Adaptable for 8000 and 4000 series.

8000-416B Short truss mount with clamp (K&M 24493-000-55)



8050
8350
G5

Wall mounts

Adjustable wall mount

Wall mounting bracket for 8000 series. Available in black and white. 8X40, 8341, 8X50 and 8351 do not need the included T-plate.

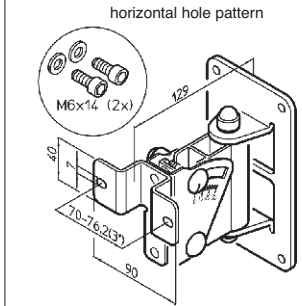
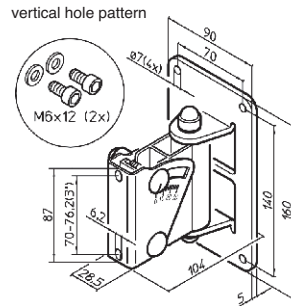
- 8000-402B** Wall mounting bracket, black (K&M 24475-000-55)
- 8000-402W** Wall mounting bracket, white (K&M 24475-000-57)



Associated product

Needed for mounting of 8320 and 8330 only.

8000-454B



Slatwall mounts and adapters

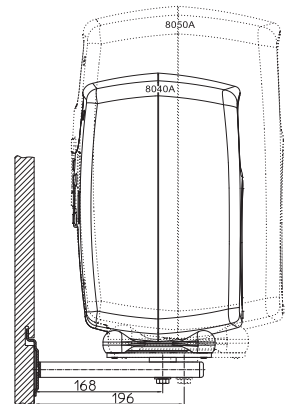
Slatwall brackets

Slatwall brackets for 8000 series monitors. Each bracket can support one stand plate to allow easy positioning and angling of the monitors.

Long slatwall bracket

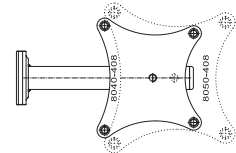
Slatwall bracket for 8040/8240 and 8050/8250.

- 8000-904B** Slatwall bracket 8040/8240 - 8050/8250 (K&M 44104-029-55)



Associated products

8051-408

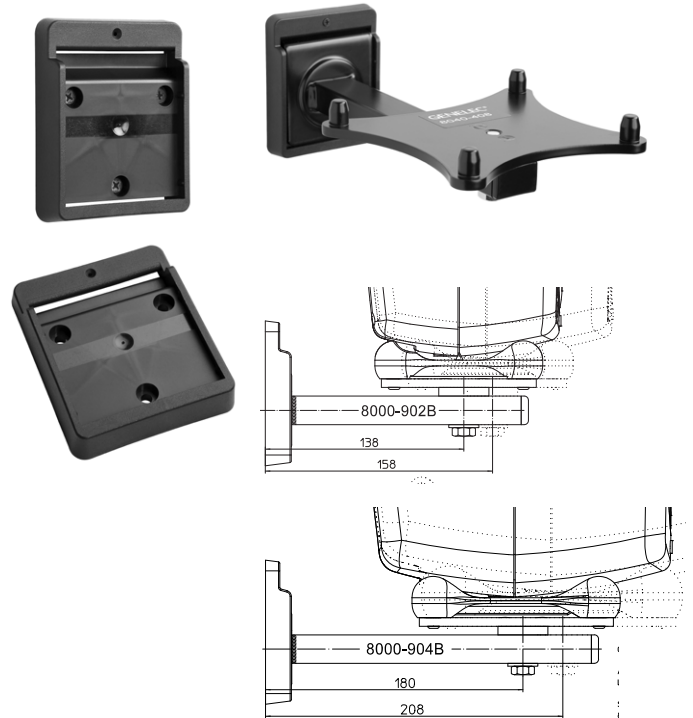


8040/8240 and 8050/8250 on long slatwall bracket.

Wall mount adapter

Practical plastic adapter to which it is easy to attach a Slatwall arm and additional Stand-plate. The adapter is attached to the wall using 3 screws. An additional security screw ensures that the product support arm is stable and held in place. Can handle weight of up to 8250 models. Dimensions 101 x 84 x 18 mm. For Slatwall brackets 8000-902B and 8000-904B.

8000-909B Wall mount adapter for slatwall brackets, black (K&M 44060-000-55)

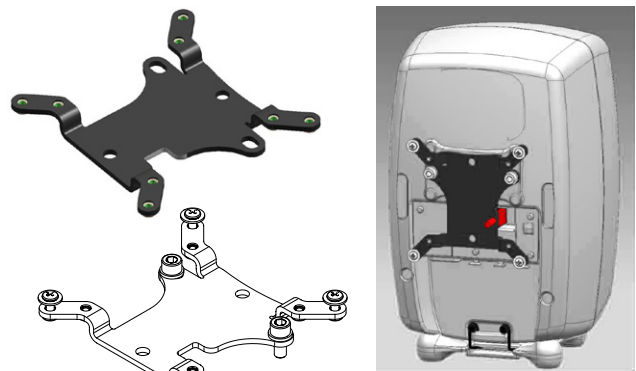


VESA-adapter for 8000-series

Today many broadcast environments and post-production studios have changed the way of installing video monitors. Instead of using 19" rack systems such LCD /Plasma screens are now placed in so-called flat "media walls". All of them feature the international mechanical mounting system called VESA standard.

We all know pictures need to be completed with sound, and therefore we have made a simple adapter fitting all Genelec 8000-speakers. With this small adapter one can mount 8000 series monitors into any kind of VESA 75/100 based accessories.

8000-437B VESA adapter 75/100 mm (K&M 24483-015-55)



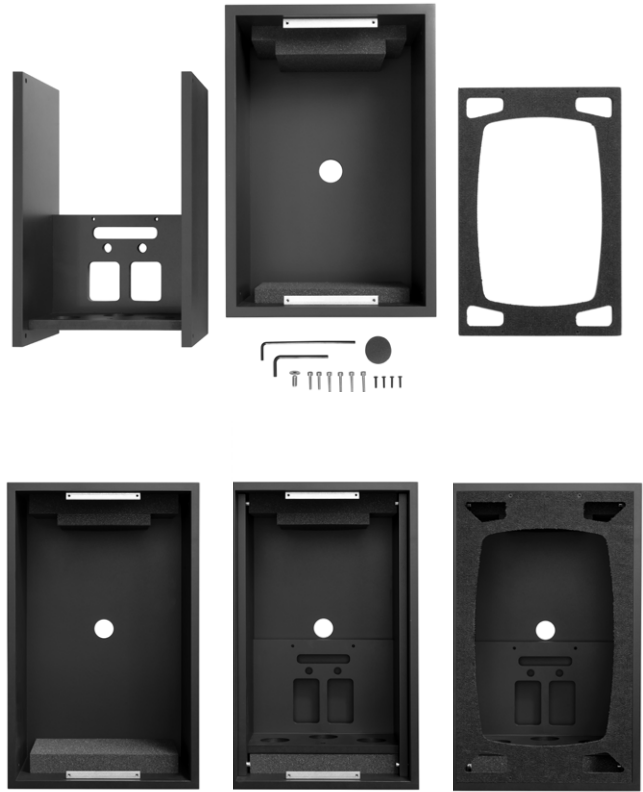
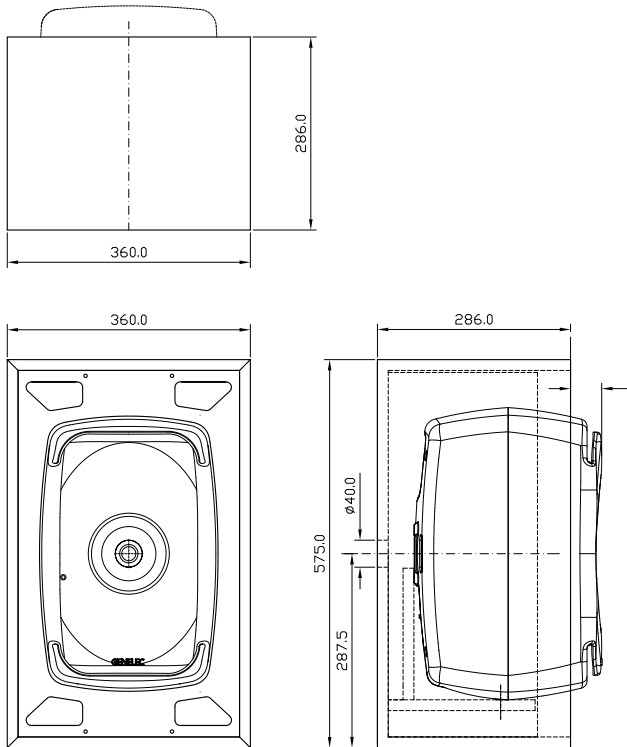
8050
8350
G5

Flush mounts

Flush mount kit for 8000-series

Genelec Flush mount kits are designed for mounting Genelec monitors into a sturdy wall structure without changing the acoustic performance of the product. Horizontal mounting is also possible. They may not be used for any other purpose.

8051-450B Flush mount kit for 8050/8350/8351 (Genelec)



8050
8350
G5

Carrying accessories

Peli cases

Portable demo cases for easy travelling and demonstrations. Cases with room for mic stands, GLM kit, cables and more.



Peli Case 51

Portable demo case for easy travelling and demonstrations. Case 51 has room for one 8X50/8351 plus accessories.

8000-851 Empty case for one pc 8X50/8351



8050
8350
G5

Bags for Genelec loudspeakers

Soft transportation bags for Genelec loudspeakers.

8050-423 Soft carrying bag for one 8X5X (Genelec)



8050
8350
G5

ACCESSORIES FOR GENELEC MONITORS

8331

8341

8351

8361

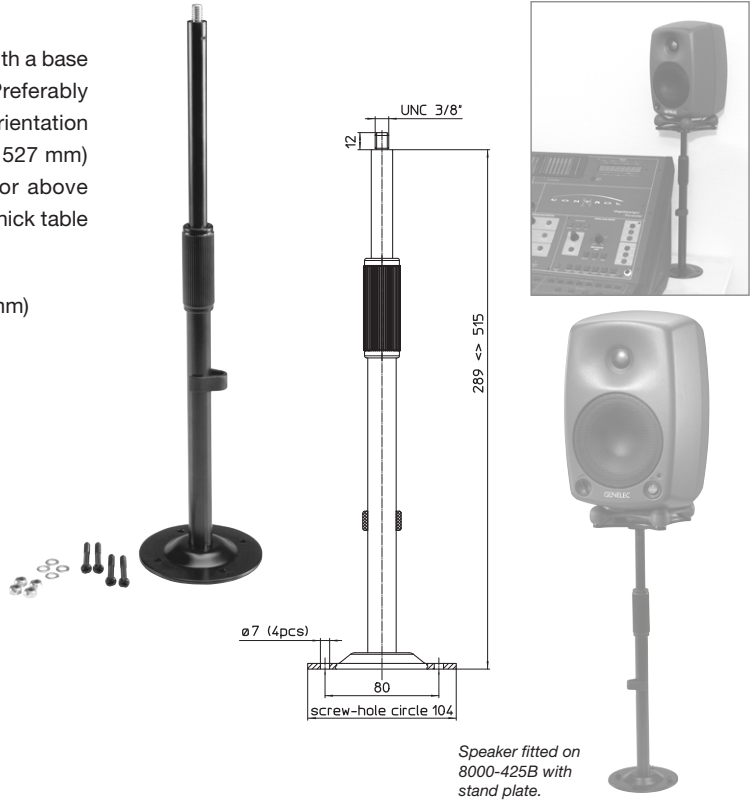
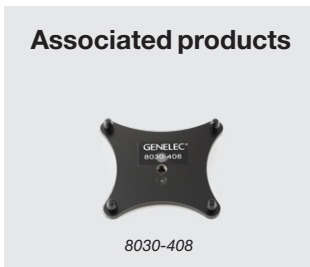
8260

Table stands

Adjustable height table stand

Adjustable height table stand for 8010, 8020 and 8030 with a base plate that can be attached to a table or flat surface. Preferably used with stand plate and Iso-Pod for better monitor orientation (see picture below). The telescopic tube length (301 to 527 mm) is designed for optimum monitor positioning behind or above computer screens. Screws and fixing nuts for a 40 mm thick table are included.

8000-425B Adjustable height table stand (301-527 mm)
(K&M 23360-300-55)



- 8331
- 8341
- 8351
- 8361
- 8260

L-shape table stands

With these stands it is easy to position the speaker on a table with better aiming to the listening position, causing less reflections from the table surface. All stands have 0-20 degree tilt angle adjustment upwards.

For 8010 and 8X20 sizes vertical mounting. For 8X3X, 8X4X and 8X5X sizes vertical and also horizontal mounting is possible.

Models shown on the next pages.

New



L-shape stand 8010-320W and 8010



L-shape stand 8000-323B and 8331



L-shape stand 8000-325W and 8341



L-shape stand 8000-325B and 8351

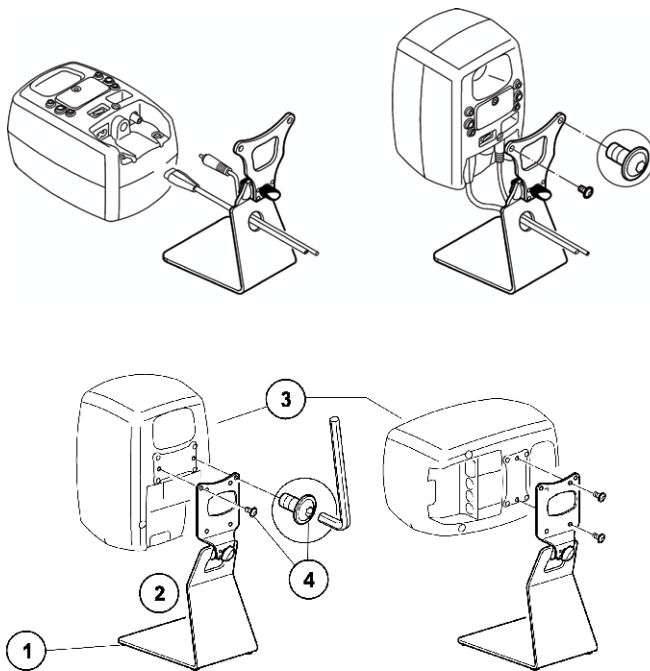
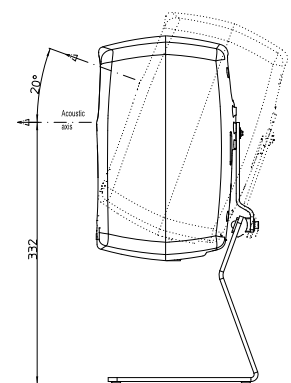


Table stand L-shape for 8X3X

Design L-shape table stand for 8X3X, with adjustable tilt angle up. Available in black and white powder coat finish.

8000-323B Table stand L-shape for 8X3X, black (K&M 23275-000-56)

8000-323W Table stand L-shape for 8X3X, white (K&M 23275-000-68)



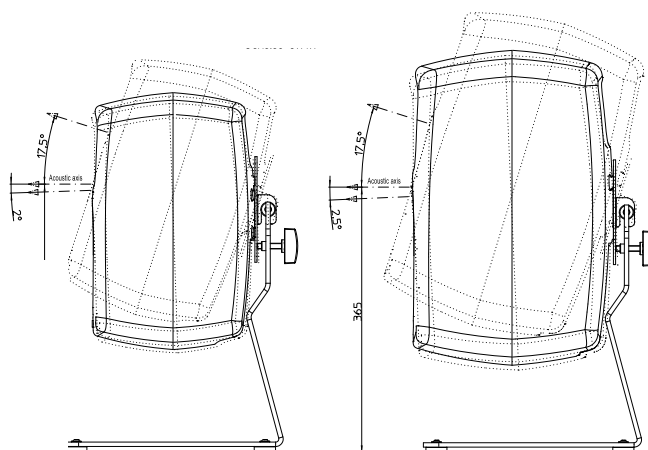
8331
8341
8351
8361
8260

Table stand L-shape for 8X4X and 8X5X

Design L-shape table stand for 8X4X and 8X5X, with adjustable tilt angle up. Available in black and white powder coat finish.

8000-325B Table stand L-shape for 8X4X and 8X5X, black (K&M 23276-000-56)

8000-325W Table stand L-shape for 8X4X and 8X5X, white (K&M 23276-000-68)



Floor stands

Design floor stand

After a long development journey together with K&M, we can finally offer the "Genelec designed floor stand" for the 8000 Series loudspeakers. Harri Koskinen, industrial designer and partner in the design of the 8000 Series loudspeaker made the first drawings several years ago.

This very stable and elegant steel stand has a 420 x 420 mm cast base with an oversized rod combination. Gradual height adjustment is made by a superior positioning and clamping knob. Quick, uncomplicated mounting of the monitor is accomplished using the suspension device. This floor stand is mainly designed for 8040, 8340, 8341, 8350 and 8351. Weight: 13.4 kg, Height: variable between 1100/1700 mm.

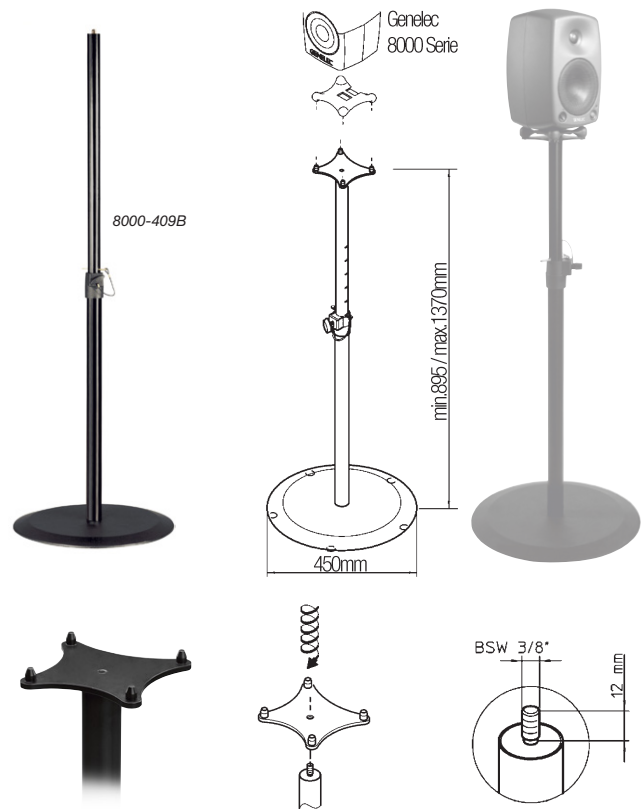
8000-400 Genelec Design stand (K&M 26785-018-56)



Floor stand

Stable steel stand with a broad round cast iron base. Base diameter 450 mm. Adjustable height using clamping screw and safety pin. Mounting 3/8" thread for any Genelec stand plates, from 8020 to 8050 model. Load capacity: 35 kg. Weight: 10.6 kg. Height: 950 to 1430 mm. Packing: double cardboard packing; iron base in one and stand in the second. Suitable for all models between 8010 – 8351.

8000-409B Floor stand (950-1430 mm) for 1032 (K&M 26741-029-55)



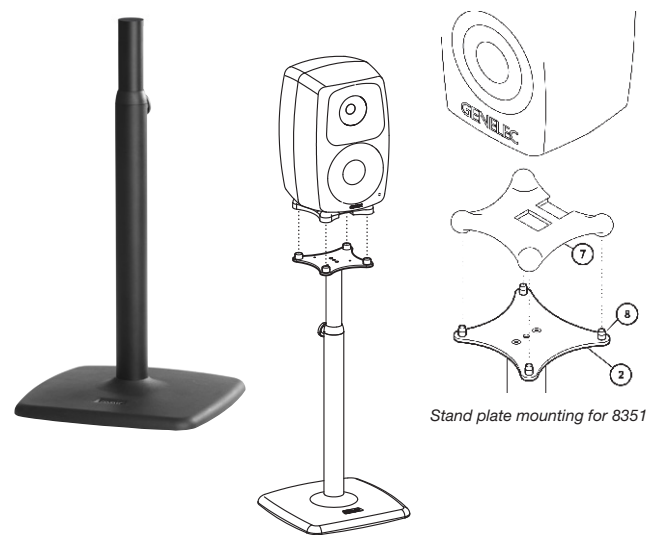
Associated products



Design floor stand for 8361, 8260 and 8351

Genelec designed floor stand with variable height between 800/1350 mm, suitable for 8361, 8260 and 8351. Weight 19 kg.

8260-415B Floor stand for 8x5x, 8361, 8260 (K&M 26795-018-56)



8331
8341
8351
8361
8260

Floor stand for S360 and 8XXX

Genelec design floorstand with adjustable height in 50mm steps between 794 - 1344 mm.

For models 8350, 8351 and G5:

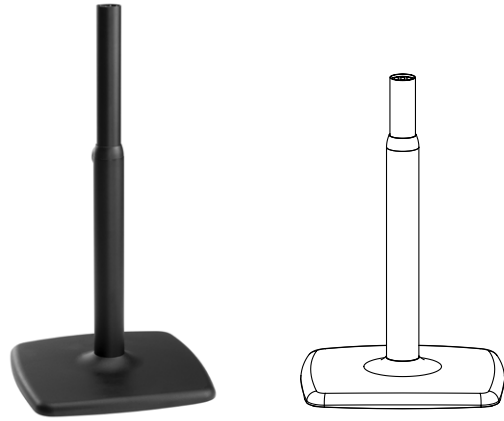
Can be used with Stand plate 8051-408.

For models 8351, 8260 and 8361:

Can be used with Stand plates 8051-408 and 8260-450B.

For model S360:

Can be used with Stand plate S360-408B or with Side-Side mounting bracket S360-450B.



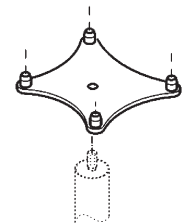
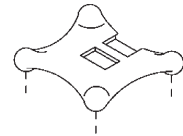
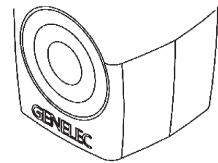
S360-415B Floor stand for S360 and 8XXX (K&M 26791-000-56)

Stand plates

Stand plate for 8X30, 8331

Genelec stand plates are designed for use together with the Iso-Pod that comes with all 8000 series monitors. The Iso-Pod allows you to tilt the monitor for optimal alignment. Simply mount the stand plate onto the 3/8" thread on the tube and ensure tight screw connection. Place the Iso-Pod over the four pins of the stand plate.

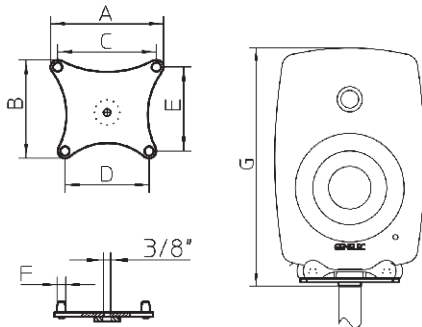
8030-408 Stand plate for 8X30, 8331 Iso-Pod (K&M 19623-329-55)



Stand plate and Iso-Pod assembly.

	8030
A	126
B	110
C	108
D	93
E	92
F	ø10
G	311

(mm)



8331
8341
8351
8361
8260

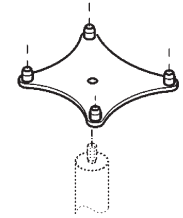
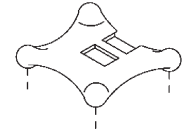
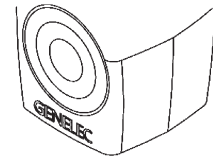
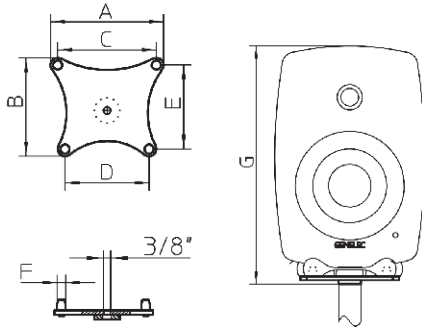
Stand plate for 8X40, 8341

Genelec stand plates are designed for use together with the Iso-Pod that comes with all 8000 series monitors. The Iso-Pod allows you to tilt the monitor for optimal alignment. Simply mount the stand plate onto the 3/8" thread on the tube and ensure tight screw connection. Place the Iso-Pod over the four pins of the stand plate.

8040-408 Stand plate for 8X40, 8341 Iso-Pod (K&M 19624-329-55)

8040	
A	156
B	136
C	136
D	116
E	116
F	∅12
G	377

(mm)



Stand plate and Iso-Pod assembly.

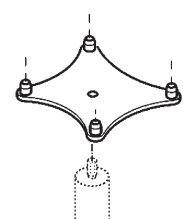
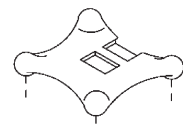
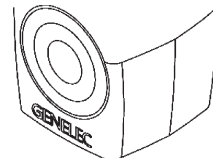
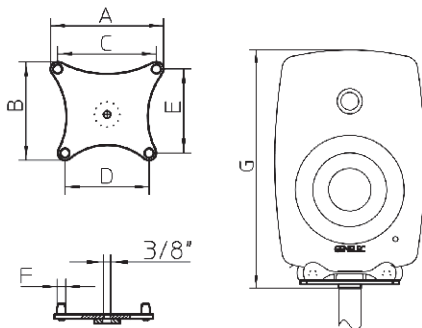
Stand plate for 8X50, 8351

Genelec stand plates are designed for use together with the Iso-Pod that comes with all 8000 series monitors. The Iso-Pod allows you to tilt the monitor for optimal alignment. Simply mount the stand plate onto the 3/8" thread on the tube and ensure tight screw connection. Place the Iso-Pod over the four pins of the stand plate.

8051-408 Stand plate for 8X50, 8351 Iso-Pod (K&M 19625-330-56)

8050 8351	
A	195
B	170
C	170
D	145
E	145
F	∅12
G	464

(mm)



Stand plate and Iso-Pod assembly.

8331
8341
8351
8361
8260

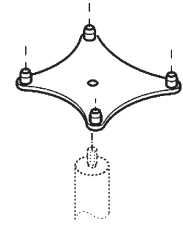
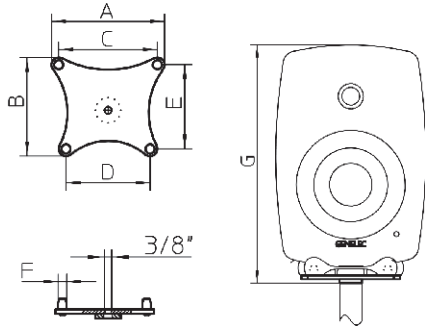
Stand plate for 8361 and 8260

Genelec stand plates are designed for use together with the Iso-Pod that comes with all 8000 series monitors. The Iso-Pod allows you to tilt the monitor for optimal alignment. Simply mount the stand plate onto the 3/8" thread on the tube and ensure tight screw connection. Place the Iso-Pod over the four pins of the stand plate.

8260-450B Stand plate for 8361, 8260 Iso-Pod (K&M 19628-300-56)

	8260
A	255,5
B	225
C	212,5
D	182
E	182
F	∅30
G	593

(mm)

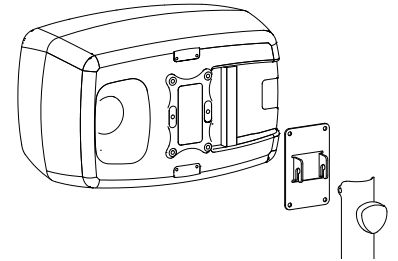


Stand plate and Iso-Pod assembly.

Adapter for horizontal mounting of 8351

Mounting plate for Design floor stand 8000-400, to be used for horizontal mounting of 8351.

8000-438 Adapter for horizontal mounting, black (K&M 24454-000-56)



8331
8341
8351
8361
8260

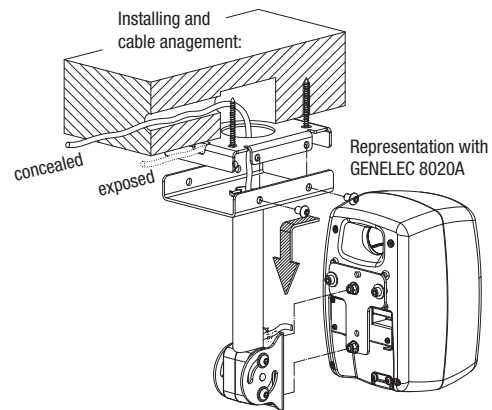
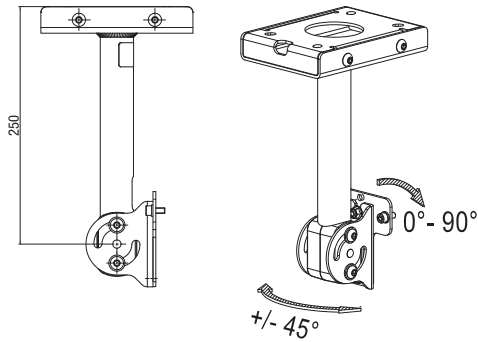
Ceiling mounts

Short ceiling mount

For all 8000 series models. Available in black and white.

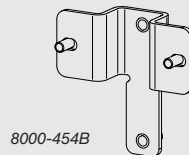
8000-436B Short ceiling mount, black (K&M 24486-000-55)

8000-436W Short ceiling mount, white (K&M 24486-000-57)



Associated product

Needed for mounting of 8320 and 8330 only.



Short adjustable ceiling mount

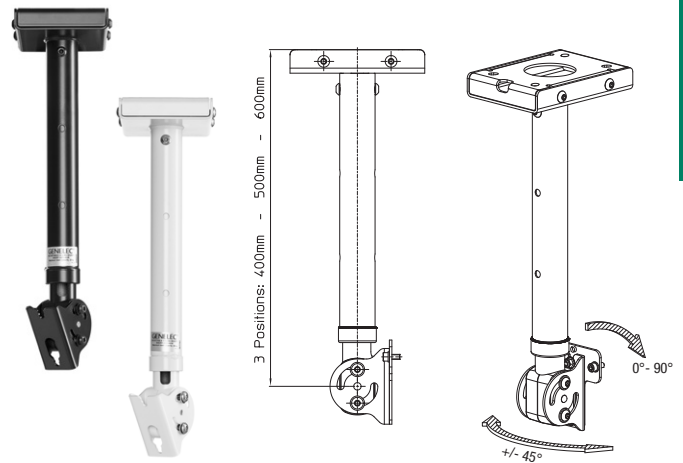
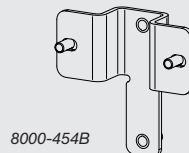
Adjustable ceiling mount for all 8000 series models, possible to down tilt up to 90 degrees. The tube have openings in each end, possible to have cables in the 50 mm tube. Available in black and white.

8000-442B Short adjustable ceiling mount, black (K&M 24491-000-55)

8000-442W Short adjustable ceiling mount, white (K&M 24491-000-57)

Associated product

Needed for mounting of 8320 and 8330 only.



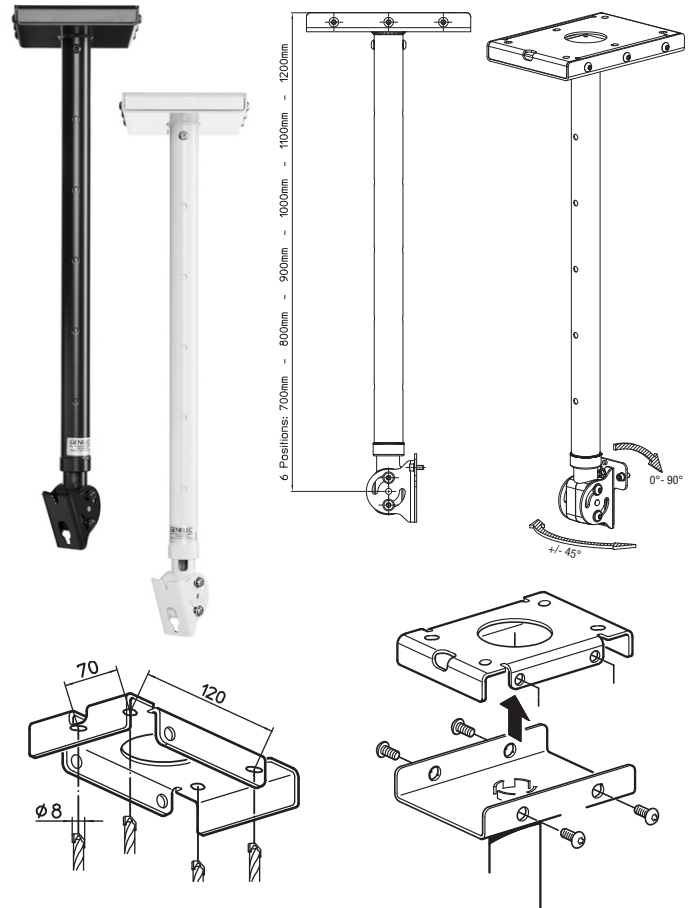
8331
8341
8351
8361
8260

Long adjustable ceiling mount

Adjustable ceiling mount for all 8000 series models, possible to down tilt up to 90 degrees. The tube have openings in each end, possible to have cables in the 50 mm tube. Available in black and white.

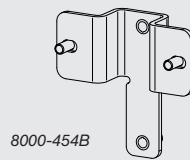
8000-444B Long adjustable ceiling mount, black
(K&M 24494-000-55)

8000-444W Long adjustable ceiling mount, white
(K&M 24494-000-57)



Associated product

Needed for mounting of 8320 and 8330 only.

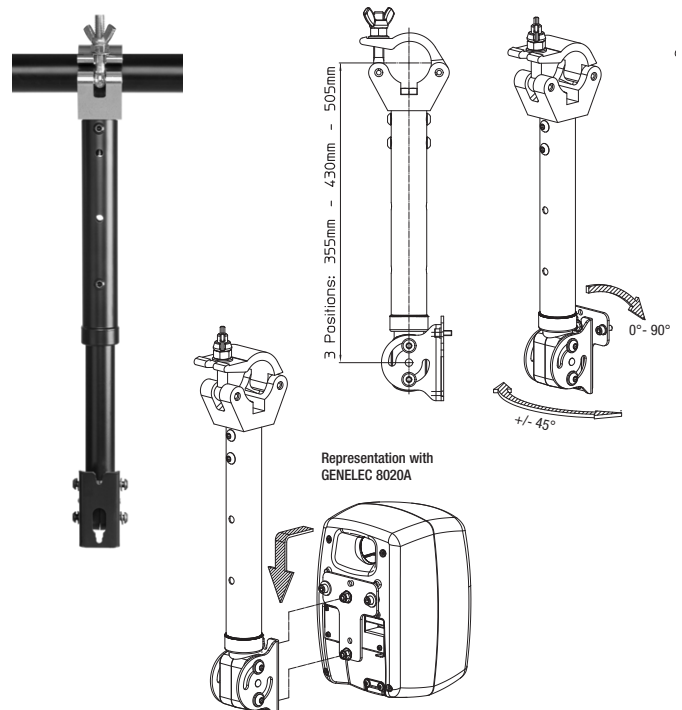


8000-454B

Truss mount, adjustable length

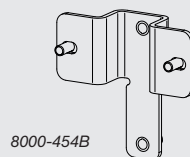
Truss mount with adjustable length. Clamp for Ø50 mm tube. Adaptable up to 8351 models.

8000-446B Truss mount kit, adjustable length, black
(K&M 24499-000-55)



Associated product

Needed for mounting of 8320 and 8330 only.

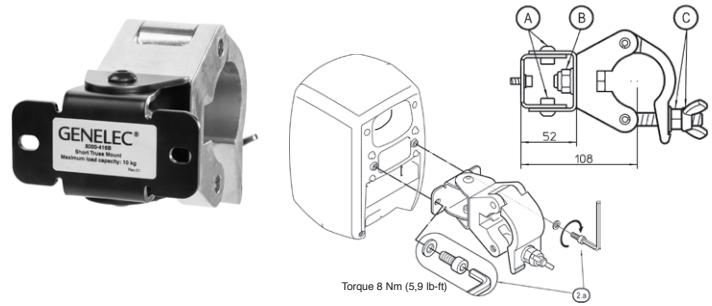


8000-454B

Short truss mount

Short truss mount with clamp for Ø 50 mm tube. Adaptable for 8000 and 4000 series.

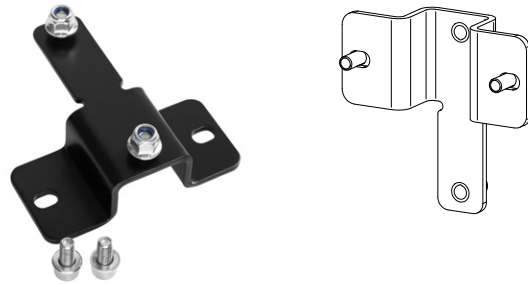
8000-416B Short truss mount with clamp (K&M 24493-000-55)



T-adapter plate

T-adapter plate for Genelec 8320 and 8330.

8000-454B T-adapter plate (K&M 24452-000-55)

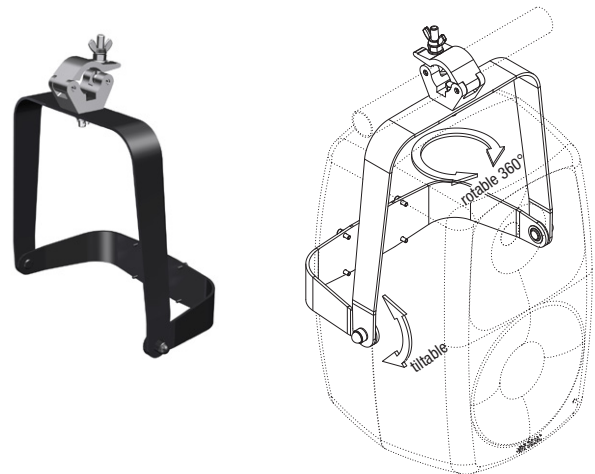


Truss mounts

Truss mount kit for 8361 and 8260

Truss mount kit with clamp for Ø50 mm tube for 8361 and 8260.

8260-465B Truss mount kit for 8260 and 8361, black (K&M 24492-000-55)



8331
8341
8351
8361
8260

Wall mounts

Adjustable wall mount

Wall mounting bracket for 8000 series. Available in black and white. 8X40, 8341, 8X50 and 8351 do not need the included T-plate.

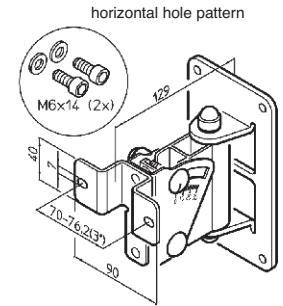
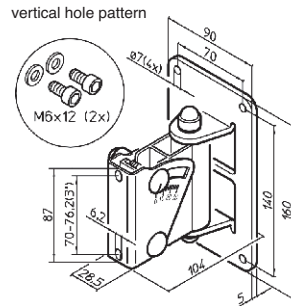
- 8000-402B** Wall mounting bracket, black (K&M 24475-000-55)
- 8000-402W** Wall mounting bracket, white (K&M 24475-000-57)



Associated product

Needed for mounting of 8320 and 8330 only.

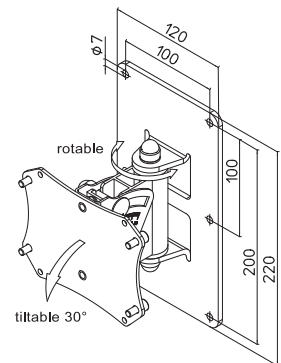
8000-454B



Wall mount 8260 and 8351

Wall mount for 8260 and 8351, including holes for VESA 100. The mounting plate can be rotated 90°.

- 8000-424B** Wall mount for 8351, 8260 (K&M 24478-015-55)



Wall mount for S360, 8351, 8361 and 8260

Adjustable wall mount to be used with Top-Bottom bracket S360-424B. Enables tilting and aiming of the loudspeaker.

- S360-444B** Wall mount for S360, 8351, 8361, 8260 (K&M 24478-018-55)



Slatwall mounts and adapters

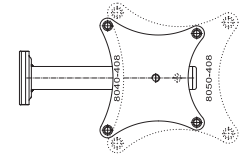
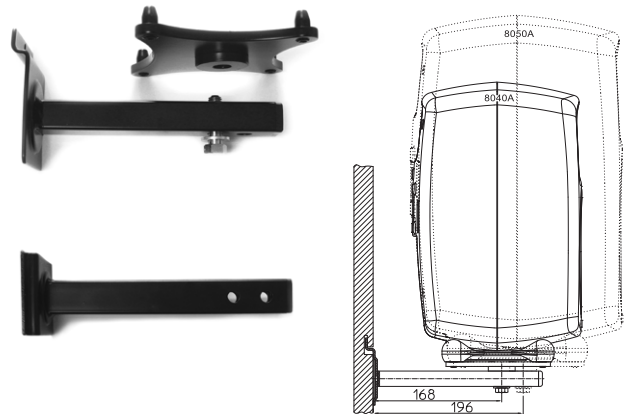
Slatwall brackets

Slatwall brackets for 8000 series monitors. Each bracket can support one stand plate to allow easy positioning and angling of the monitors.

Long slatwall bracket

Slatwall bracket for 8040/8240 and 8050/8250.

8000-904B Slatwall bracket 8040/8240 - 8050/8250 (K&M 44104-029-55)

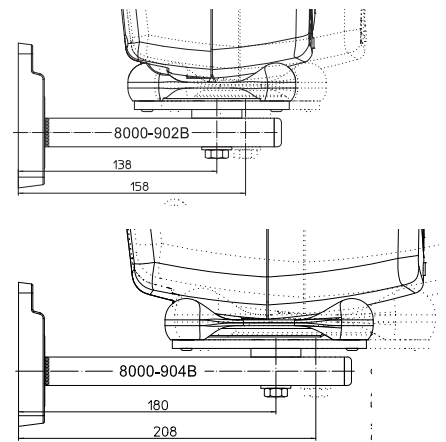


8040 / 8240 and 8050 / 8250 on long slatwall bracket.

Wall mount adapter

Practical plastic adapter to which it is easy to attach a Slatwall arm and additional Stand-plate. The adapter is attached to the wall using 3 screws. An additional security screw ensures that the product support arm is stable and held in place. Can handle weight of up to 8250 models. Dimensions 101 x 84 x 18 mm. For Slatwall brackets 8000-902B and 8000-904B.

8000-909B Wall mount adapter for slatwall brackets, black (K&M 44060-000-55)



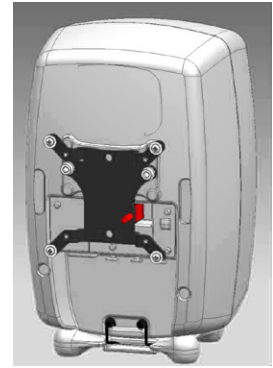
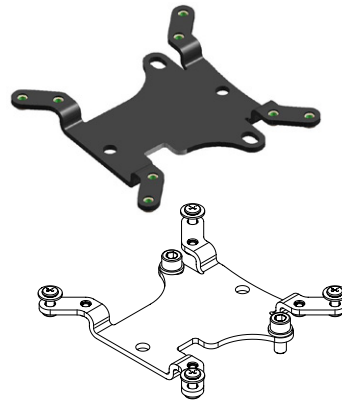
8331
8341
8351
8361
8260

VESA-adapter for 8000-series

Today many broadcast environments and post-production studios have changed the way of installing video monitors. Instead of using 19" rack systems such LCD /Plasma screens are now placed in so-called flat "media walls". All of them feature the international mechanical mounting system called VESA standard.

We all know pictures need to be completed with sound, and therefore we have made a simple adapter fitting all Genelec 8000-speakers. With this small adapter one can mount 8000 series monitors into any kind of VESA 75/100 based accessories.

8000-437B VESA adapter 75/100 mm (K&M 24483-015-55)

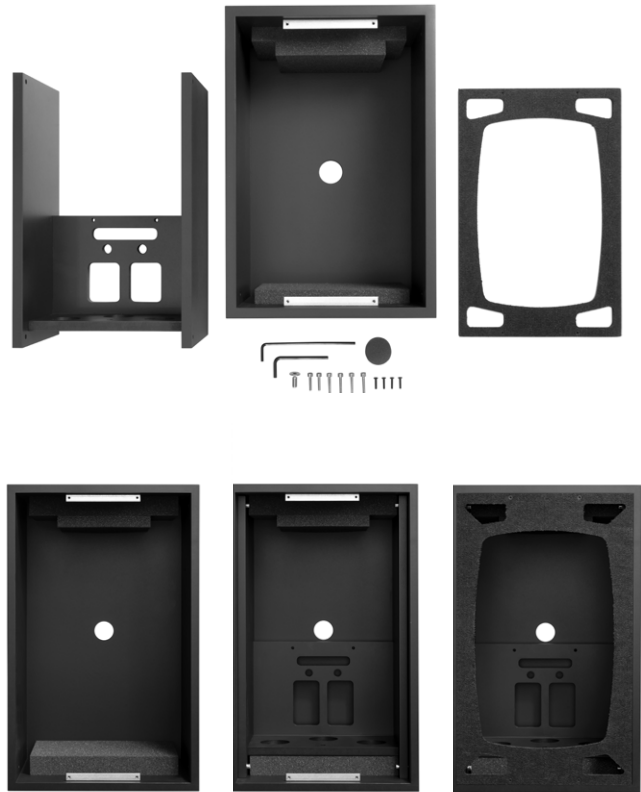
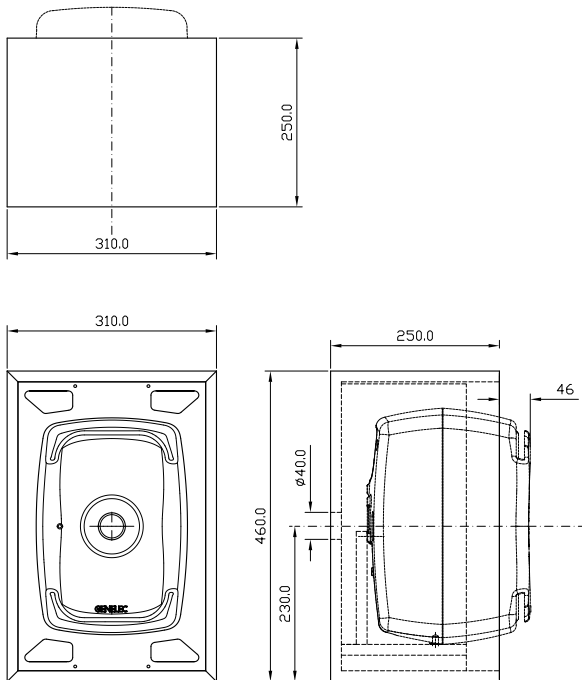


Flush mounts

Flush mount kit for 8000-series

Genelec Flush mount kits are designed for mounting Genelec monitors into a sturdy wall structure without changing the acoustic performance of the product. Horizontal mounting is also possible. They may not be used for any other purpose.

8041-450B Flush mount kit for 8040/8340/8341 (Genelec)

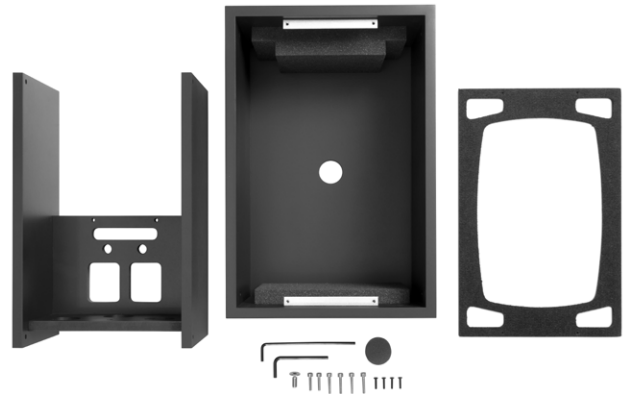
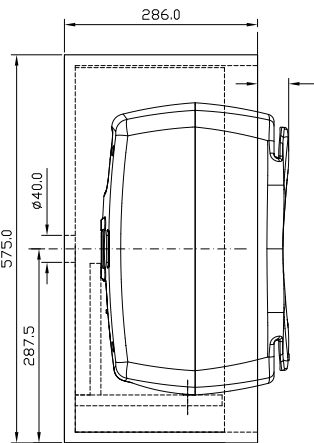
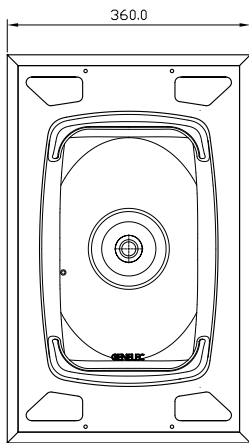
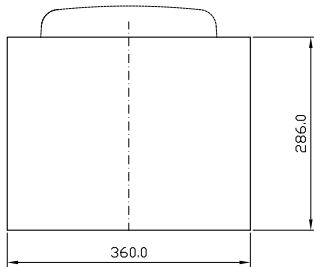


8331
8341
8351
8361
8260

Flush mount kit for 8000-series

Genelec Flush mount kits are designed for mounting Genelec monitors into a sturdy wall structure without changing the acoustic performance of the product. Horizontal mounting is also possible. They may not be used for any other purpose.

8051-450B Flush mount kit for 8050/8350/8351 (Genelec)

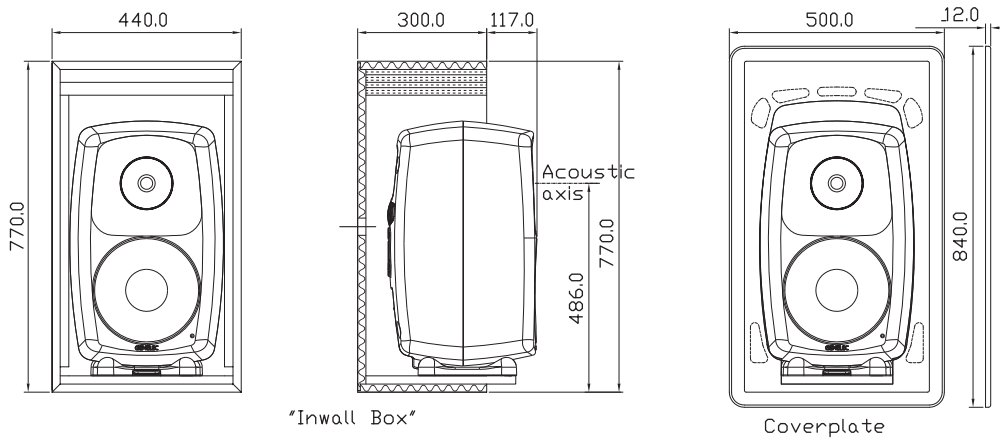


- 8331
- 8341
- 8351
- 8361
- 8260

Flush mount kit for 8000-series

Genelec Flush mount kits are designed for mounting Genelec 8000-series monitors into a sturdy wall structure without changing the acoustic performance of the product. They may not be used for any other purpose.

8260-470B Flush mount kit for 8260, not for 8361 (Genelec)



8331
8341
8351
8361
8260

Carrying accessories

Peli cases

Portable demo cases for easy travelling and demonstrations. Cases with room for mic stands, GLM kit, cables and more.



Peli Case 31

Portable demo case for easy travelling and demonstrations. Case 31 has room for two 8X30/8331 plus accessories.

8000-831 Empty case for two pcs 8X30/8331



- 8331
- 8341
- 8351
- 8361
- 8260

Peli Case 41

Portable demo case for easy travelling and demonstrations. Case 41 has room for two pcs 8X40/8341 plus accessories.

8000-841 Empty case for two pcs 8X40/8341



Peli Case 51

Portable demo case for easy travelling and demonstrations. Case 51 has room for one 8X50/8351 plus accessories.

8000-851 Empty case for one pc 8X50/8351



Bags for Genelec loudspeakers

Soft transportation bags for Genelec loudspeakers.

8050-423 Soft carrying bag for one 8X5X (Genelec)



8331
8341
8351
8361
8260

ACCESSORIES FOR GENELEC MONITORS

S360

Floor stands

Floor stand for S360 and 8XXX

Genelec design floorstand with adjustable height in 50mm steps between 794 - 1344 mm.

For models 8350, 8351 and G5:

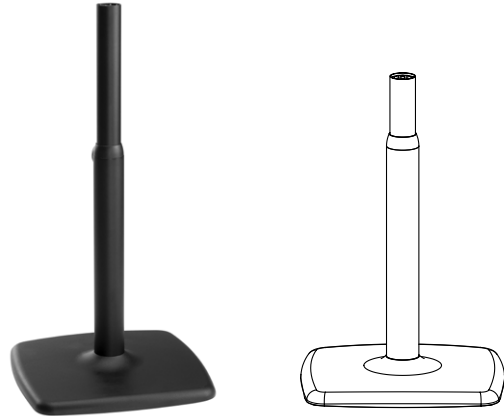
Can be used with Stand plate 8051-408.

For models 8351, 8260 and 8361:

Can be used with Stand plates 8051-408 and 8260-450B.

For model S360:

Can be used with Stand plate S360-408B or with Side-Side mounting bracket S360-450B.



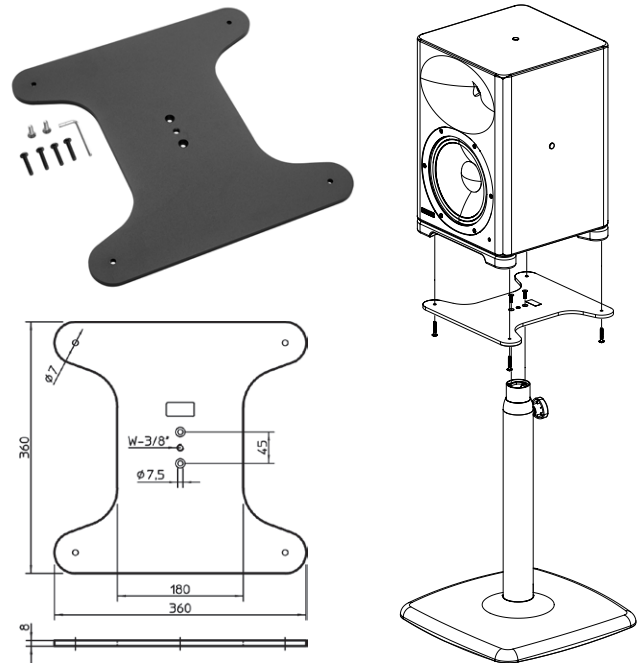
S360-415B Floor stand for S360 and 8XXX (K&M 26791-000-56)

Stand plates

Stand plate for S360

Stand plate to be used with Genelec design floorstand S360-415B for S360. Includes mounting screws to secure to the Iso-Plate of S360.

S360-408B Stand plate for S360 (K&M 24458-000-56)

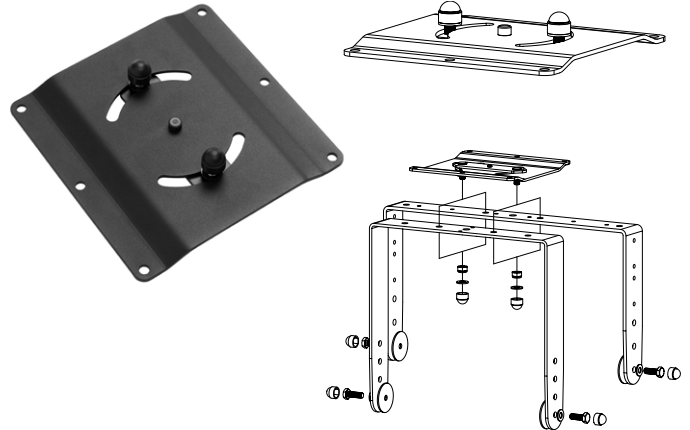


Ceiling mounts

Ceiling mount plate for S360 brackets

Adjustable ceiling mount plate for S360, to be used with Side-Side mounting bracket S360-450B. Enables tilting and aiming of the loudspeaker.

S360-465B Ceiling mount plate for S360 brackets
(K&M 24459-000-56)

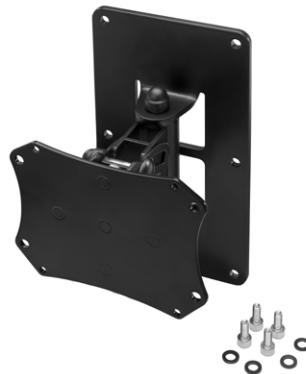


Wall mounts

Wall mount for S360, 8351, 8361 and 8260

Adjustable wall mount to be used with Top-Bottom bracket S360-424B. Enables tilting and aiming of the loudspeaker.

S360-444B Wall mount for S360, 8351, 8361, 8260
(K&M 24478-018-55)

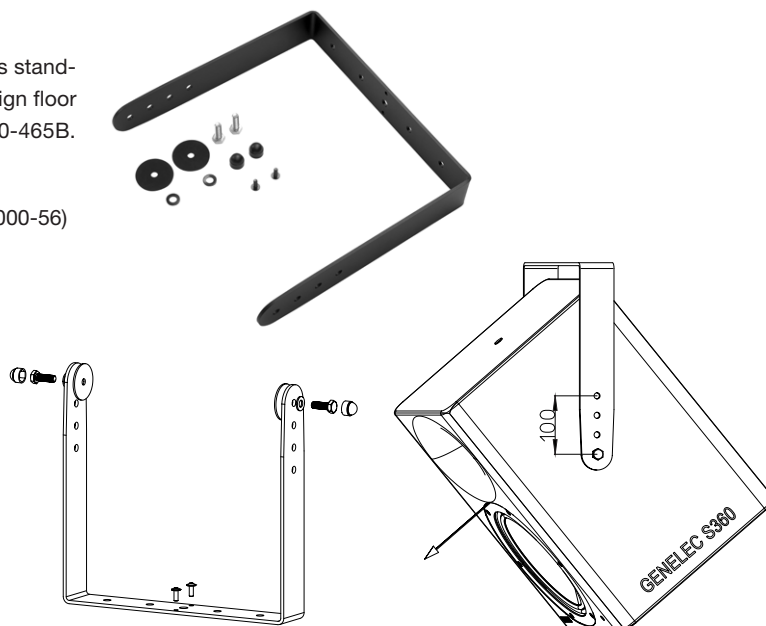


Multipurpose mounting brackets for S360

Side-Side bracket for S360

Multipurpose mounting bracket for S360. Can be used as stand-alone mount, with truss clamps or ceiling hang, with design floor stand S360-415B or with adjustable ceiling mount S360-465B. Supplied with M10 mounting bolts and washers.

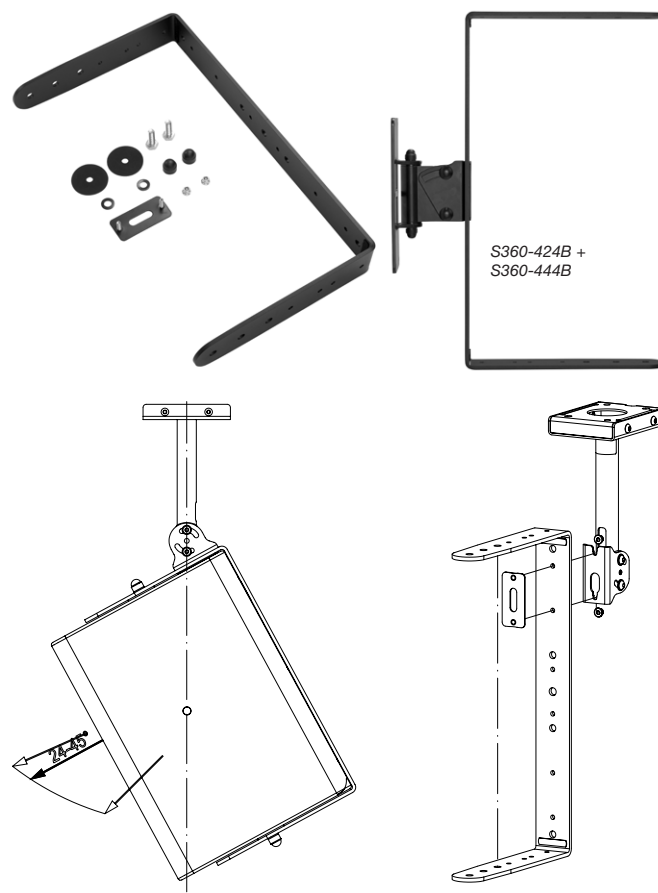
S360-450B Side-Side bracket for S360 (K&M 24467-000-56)



Top-Bottom bracket for S360

Multipurpose mounting bracket for S360. Can be used as stand-alone mount, with truss clamps, with ceiling mounts 8000-442B and 8000-444B, with wall mount S360-444B or with adjustable ceiling mount S360-465B. Supplied with M10 mounting bolts and washers.

S360-424B Top-Bottom bracket for S360 (K&M 24468-000-56)



ACCESSORIES FOR GENELEC MONITORS

Other

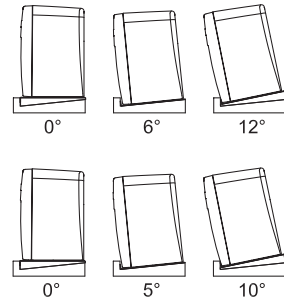
Table stands

IsoPad foam base stand

IsoPad for M-series. Foam base incl. steel plate with tilting. 3/8" thread and VESA75 M4-threads.

9110-030B IsoPad for M030 with 0-6-12 degrees tilting

9110-040B IsoPad for M040 with 0-5-10 degrees tilting



Floor stands

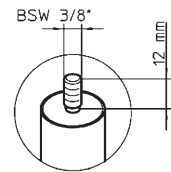
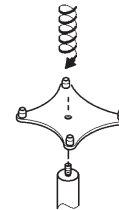
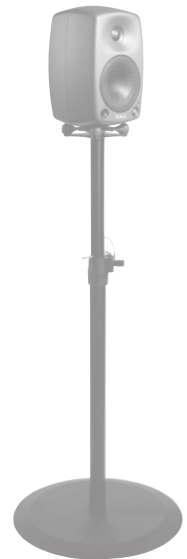
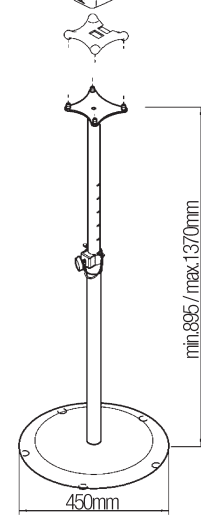
Floor stand

Stable steel stand with a broad round cast iron base. Base diameter 450 mm. Adjustable height using clamping screw and safety pin. Mounting 3/8" thread for any Genelec stand plates, from 8020 to 8050 model. Load capacity: 35 kg. Weight: 10.6 kg. Height: 950 to 1430 mm. Packing: double cardboard packing; iron base in one and stand in the second. Suitable for all models between 8010 – 8351.

8000-409B Floor stand (950-1430 mm) for 1032 (K&M 26741-029-55)



Genelec 8000 Serie

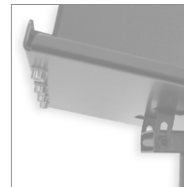
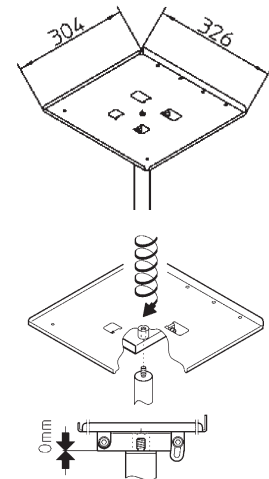


Stand plates

Stand plate for 1032

Stand plate for 1032 and S30D monitors. To be mounted on a stable floor stand, example 8000-409B (K&M 26741-029-55). The stand plate has a 3/8" thread insert in its centre for further stand assembly. The plate is tiltable 15° and a rear press fit bar keeps the enclosure securely fixed onto the plate.

1032-450B Stand plate for 1032 (K&M 24455-000-55)

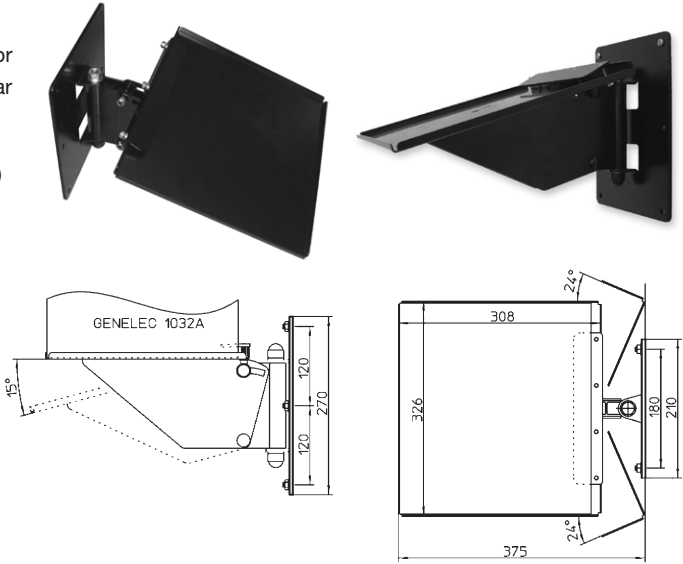


Wall mounts

Wall mount 1032

Wall mount for 1032 (also S30D). Tilttable 15° and adjustable for correct monitor positioning. Holds the enclosure securely with a rear press fit bar.

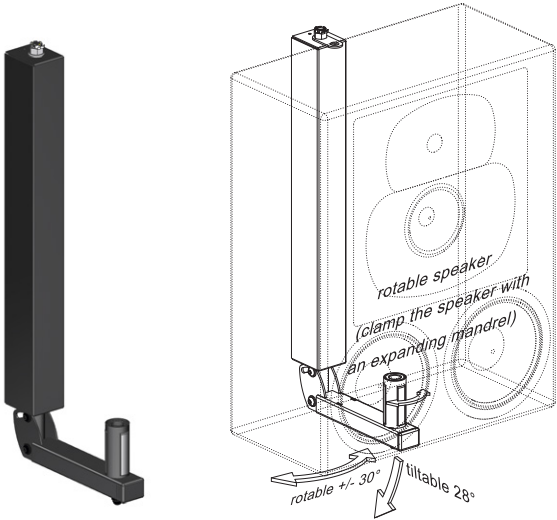
1032-460B Wall mount for 1032 (S30D) (K&M 24453-000-55)



Wall mount 1238DF

Wall mount for 1238CF and DF models.

1038-437B Wall mount for 1238CF (K&M 24477-000-55)



Slatwall mounts and adapters

Amplifier rack module for AIW26B

Up to 3 pcs Genelec RAM1-amplifiers (3U) can be rack mounted using the Genelec RM1 rack adapter (4U).

RAM1-401 Amplifier rack module for AIW26B



Rack adapter for AIW25 / AIC25 / 5041A

Up to 8 pcs Genelec RAM3-amplifiers (or RAM2) can be rack mounted using the Genelec RM2 rack adapter.

RAM2-405 Rack adapter for AIW25/AIC25/5041A



Carrying accessories

Carrying strap

Nylon carrying strap for all 8XXX models, mounts with included M6 screws.

8000-430 Carrying strap for one monitor inc screws

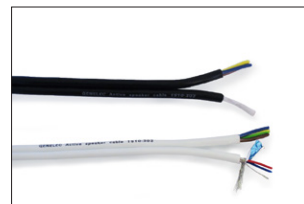
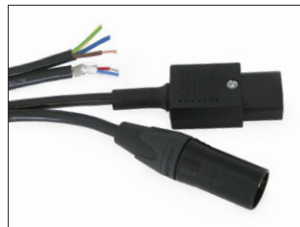


Cables

Active monitor hybrid cable

For several years the market has been requesting an easy-to-install cable for active monitors. We have developed a small and installation-friendly hybrid cable that features power and signal in two isolated shield packed in the hybrid cable. Power is 3 x 0,85 mm² and signal is double shielded 110 Ohm AES/EBU cable which can also handle analogue signal.

- 1510-303B** Hybrid cable black, 100 m reels, black
- 1510-303W** Hybrid cable black, 100 m reels, white

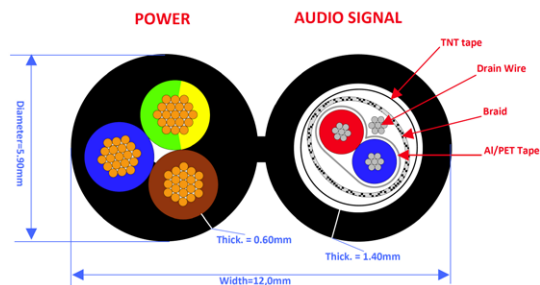


Composite

Construction	1 x Audio + 1 x Power, parallel, splittable
Jacket	PVC, black
Dimensions	12.0 mm x 5.9 mm
Weight	97g/m
Working Temperature	-25 °C / +70 °C

Signal Cable

Conductor	7 x 0.20 mm (AWG24) tinned copper
Conductor Area	0,22 mm ²
Insulation	Foam-Skin-PE
Shielding	AL/PETP foil + tinned stranded drain wire + tinned copper braid, coverage 85%
Jacket	PVC, black, Ø 5.9 mm



Power Cable 3x0.85 mm²

Conductor	bare copper, 19 x 0.24mm
Conductor Cross Section	0.86 mm ² (AWG 18)
Insulation	PVC
Number of Cores	3
Jacket	PVC, black, Ø 5.9 mm

Installation cable

Installation friendly signal cable with shielded pair for balanced line level analog audio. Slimline white plastic jacket, sold in 100 m and 300 m reels.

- 1510-888** Installation cable, 100 m reels
- 1510-889** Installation cable, 300 m reels

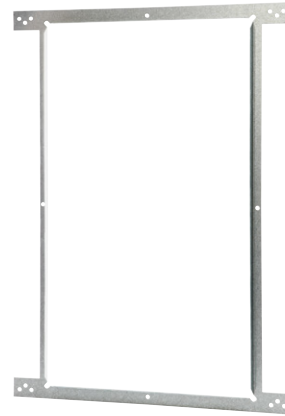


Pre-construction brackets

Pre-construction bracket for AIW26B

Galvanized steel bracket to be used for the enclosure mounting in thin wall materials.

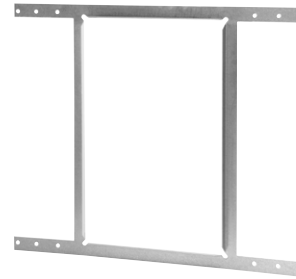
AIW26-001 Mounting bracket for AIW26B



Pre-construction bracket for AIW25

Galvanized steel bracket to be used for the enclosure mounting in thin wall materials.

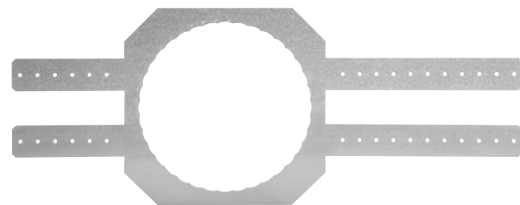
272-0030 Pre-construction bracket for AIW25



Pre-construction bracket for AIC25

Galvanized steel bracket to be used for the enclosure mounting in thin ceiling materials.

272-0039 Pre-construction bracket for AIC25

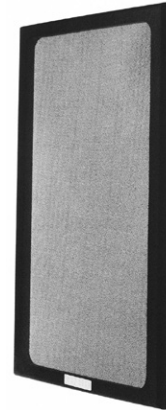


Other products

Grille for 1032A

Acoustically transparent fabric grille, mounts with integrated plastic studs.

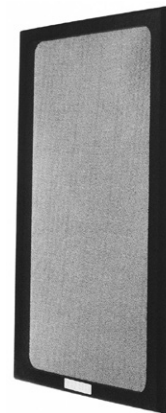
1032-409 Grille for 1032A, black



Grille for 1037A

Acoustically transparent fabric grille, mounts with integrated plastic studs.

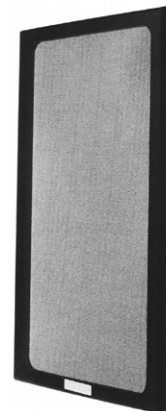
1037-409 Grille for 1037A, black



Grille for 1238DF

Acoustically transparent fabric grille, mounts with integrated plastic studs.

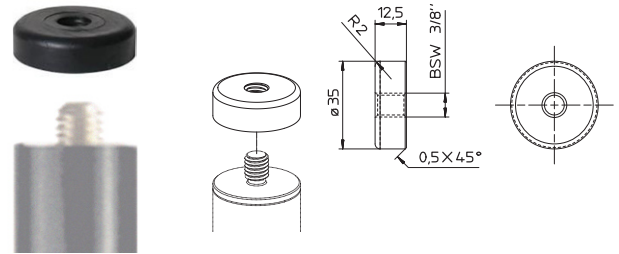
1238-409 Grille for 1238DF, black



Top adapter

The existing floor stand 8000-409B together with this top-adapter can be used to support 1238CF monitors in lowered position. It's not recommended to raise the stand in a higher position. 3/8" adapter for floor stand 8000-409B (to fit 1238CF).

1038-605 Top adapter 3/8" for floor stand 8000-409B to fit 1238DF (K&M 26739-329-00)



Security wire

Security wire with hook for secure truss mounting. Length 820 mm, 3.2 mm wire.

8000-432 Security wire for truss mounts (SW-02)

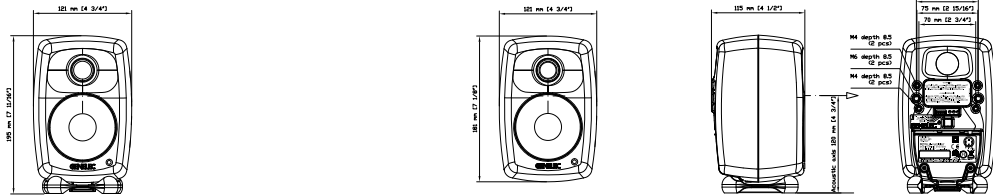


8000, G and 4000 series monitor models

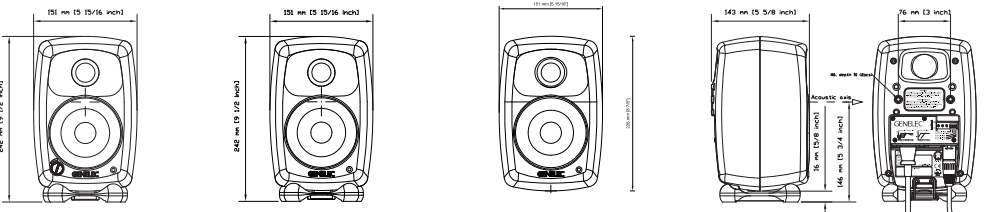
**6010
G1**



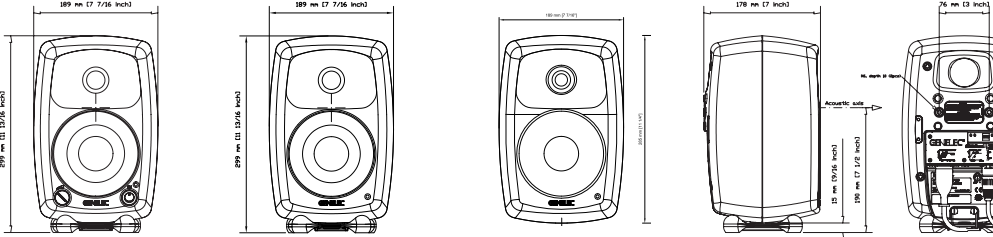
**8010
4010**



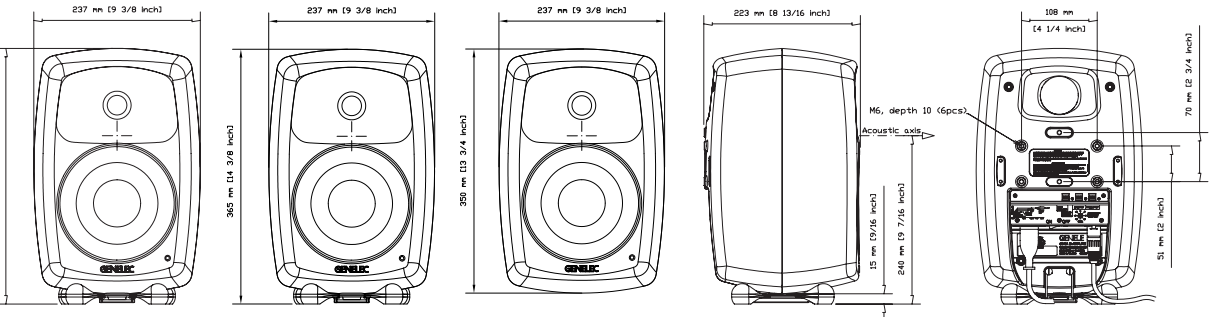
**8020
G2
4020**



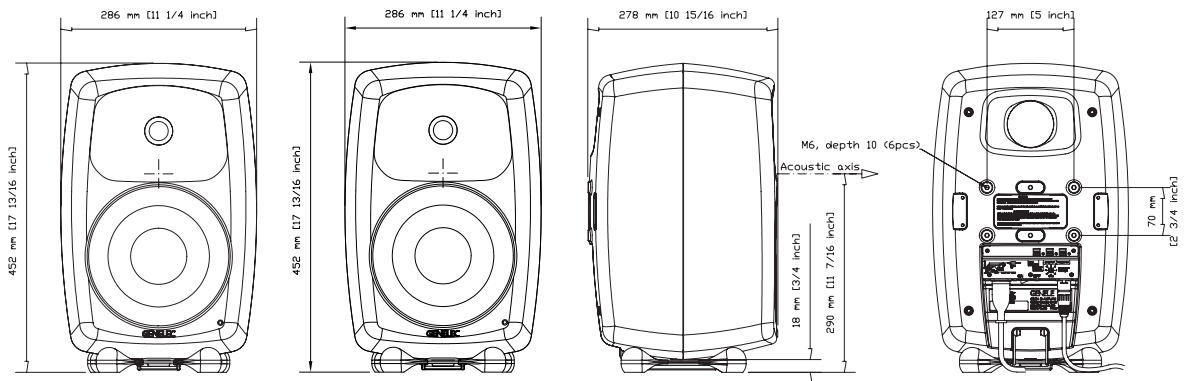
**8030
G3
4030**



**8040
G4
4040**

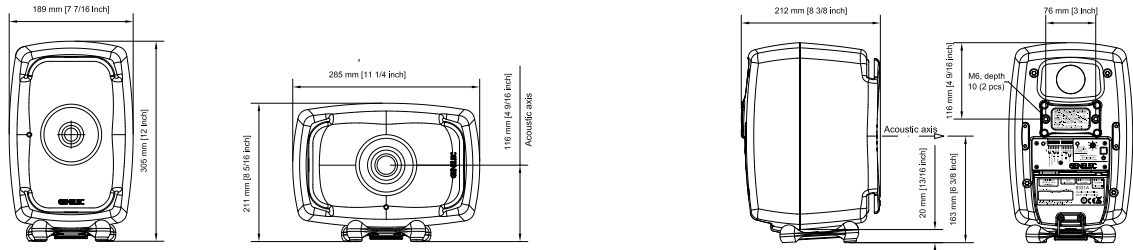


**8050
G5**

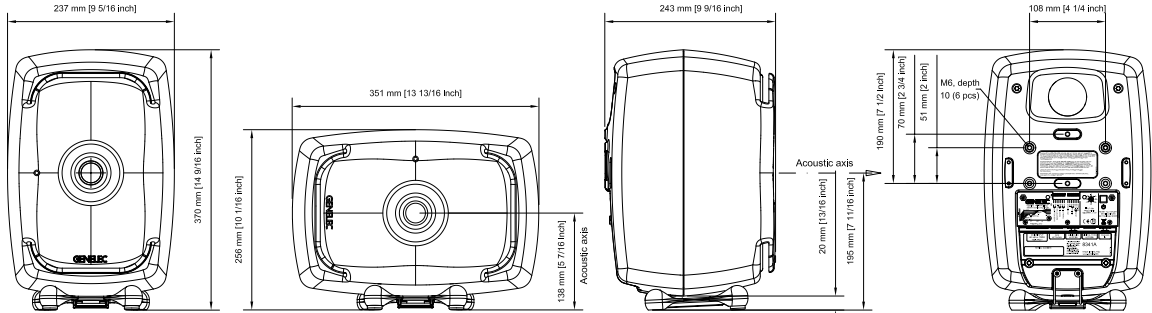


The Ones and 8260 monitor models

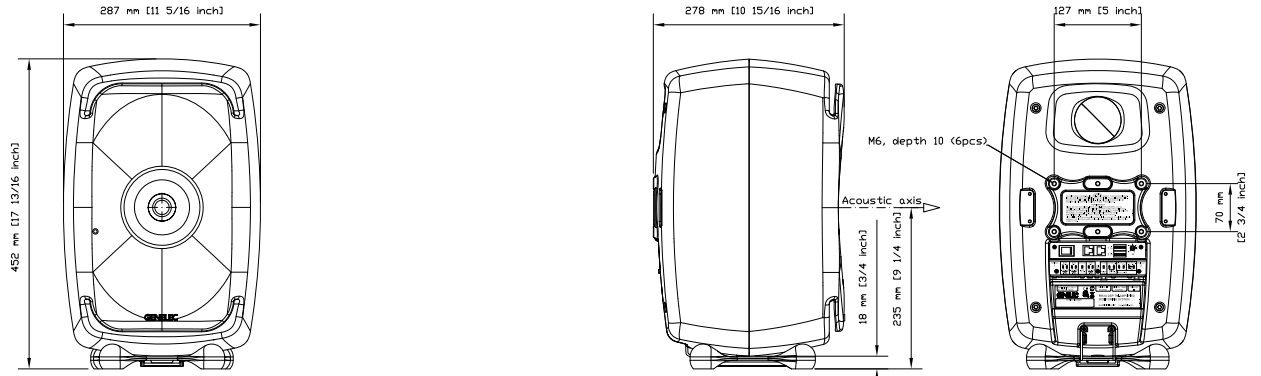
8331



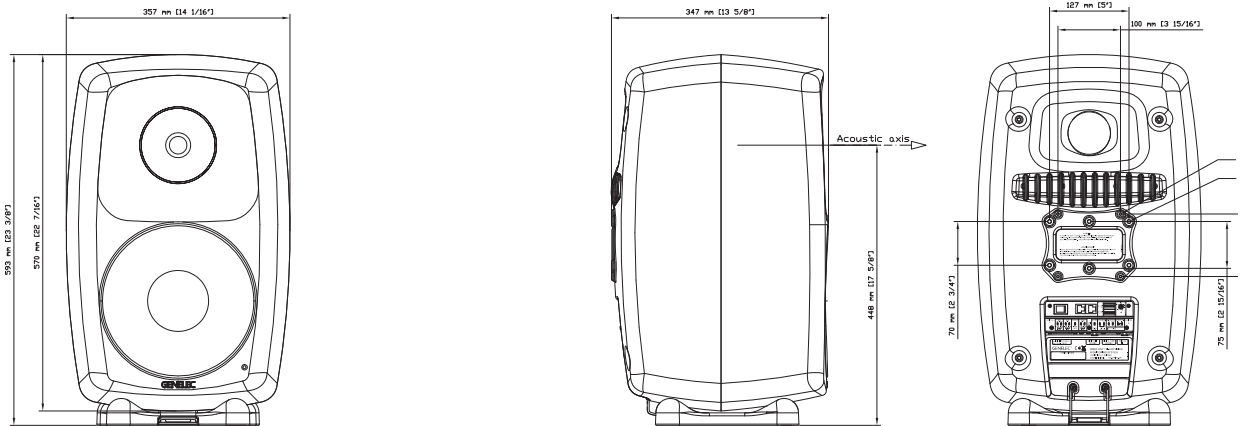
8341



8351



8260





Factory and Headquarters

Genelec Oy
Olvitie 5
FI-74100 Iisalmi
Finland
T +358 17 83 881
Email genelec@genelec.com

USA

Genelec Inc.
7 Tech Circle
Natick MA 01760
USA
T +1 508 652 0900
Email genelec.usa@genelec.com

Sweden

Genelec Sweden
Ellipsvägen 10A
SE-141 75 Kungens Kurva
Sweden
T +46 8 449 5220
Email sweden@genelec.com

China

Beijing Genelec Audio
Room 101, Building B33
Universal Business Park
No.10 Jiuxianqiao Road
Chaoyang District
Beijing 100015
China
T +86 10 5823 2014
T +86 400 700 1978
Email genelec.china@genelec.com

Japan

Genelec Japan Inc
2-22-21 Akasaka
Minato ku
JP-107-0052 Tokyo
Japan
T +81 3 6441 0591
Email genelec.japan@genelec.com

Genelec Document BBAGE045i.
Copyright Genelec Oy 06.2020.

All data subject to change. Detailed data sheets of all Genelec models, Quick Setup Guides and other useful information can be downloaded at

www.genelec.com